

Evo One

Manual Generated: 09/10/2024 - 11:54

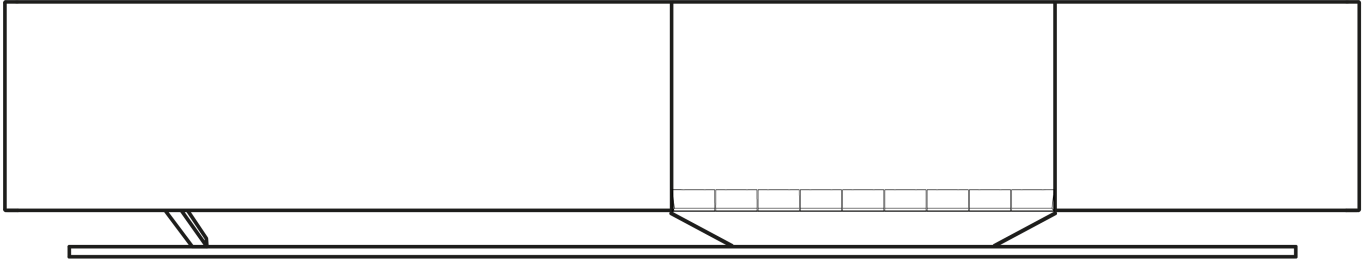


Table of Contents

Evo One	3
Introduction	3
What's included with the Evo One?	4
Front panel controls	5
Display	6
Rear panel connections	8
Remote control	9
Getting connected	10
Connecting to a network	12
StreamMagic app - Setup	13
Google Home / Google Cast	14
AirPlay	15
Built-in streaming services	16
Internet radio	18
Streaming your local digital music collection	19
Bluetooth	20
TV - eARC input	21
USB Media	22
Settings	23
Audio Settings	25
Technical specifications	26
Source quality matrix	28
Troubleshooting	29
Frequently asked questions	31

Evo One

Last updated: October 9, 2024 11:39. Revision #13705



Users Manual

Introduction

Last updated: August 1, 2024 04:04. Revision #13565

This guide is designed to make installing and using this product as easy as possible. Information in this document has been carefully checked for accuracy at the time of publishing; however, Cambridge Audio's policy is one of continuous improvement, therefore design and specifications are subject to change without prior notice.

This document contains proprietary information protected by copyright. All rights are reserved. No part of this manual may be reproduced by any mechanical, electronic or other means, in any form, without prior written permission of the manufacturer. All trademarks and registered trademarks are the property of their respective owners.

The Bluetooth® word mark and logos are registered trademarks owned by the Bluetooth SIG, Inc. and any use of such marks by Audio Partnership Plc is under license. Other trademarks and trade names are those of their respective owners.

StreamMagic is a trademark of Audio Partnership Plc and is registered in the European Community and other countries.

This product contains software licensed under version 2 of the GNU Public License and version 2.1 of the GNU Lesser Public License. The source code for this software is available from: <http://gpl.stream-magic.com/>

This product includes technology owned by Microsoft Corporation and under a licence from Microsoft Licensing GP. Use or distribution of such technology outside of this product is prohibited without a license from Microsoft Corporation and/or Microsoft Licensing, GP as applicable.

The Spotify Software is subject to third party licenses found here: <https://www.spotify.com/connect/third-party-licenses>.

This product support AirPlay 2 and requires iOS 11.4 or later.

Apple and AirPlay are trademarks of Apple Inc., registered in the U.S. and other countries.

Use of the Works with Apple badge means that an accessory has been designed to work specifically with the technology identified in the badge and has been certified by the developer to meet Apple performance standards.

Android, Google Play and the Google Cast-enabled logo are trademarks of Google Inc.

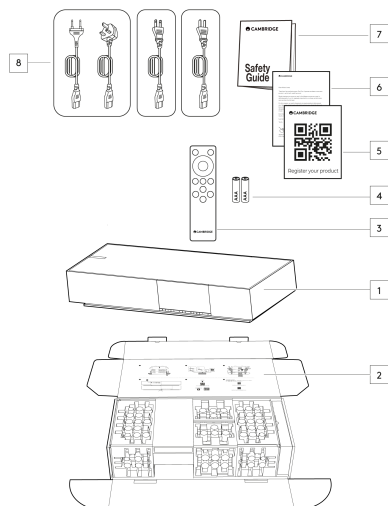
TIDAL and TIDAL logo are registered trademark of Aspiro AB in the European Union and other countries.

© Copyright Cambridge Audio Ltd

For upcoming news on future products, software updates and exclusive offers, make sure you register your product at <https://www.cambridgeaudio.com/register>

What's included with the Evo One?

Last updated: August 9, 2024 09:04. Revision #13550

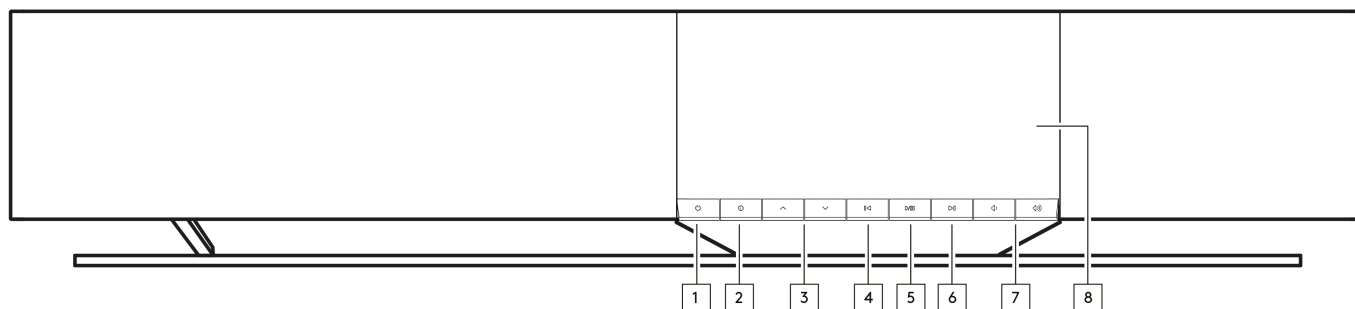


Inside the box of your Evo One you will receive:

1. Evo One Player
2. Quick Start Guide
3. Remote control
4. AAA batteries x 2
5. Registration Card
6. Welcome letter
7. Safety Guide
8. Regional Power Cable

Front panel controls

Last updated: August 9, 2024 09:04. Revision #13549



1. Standby/On

Switches the unit between Standby mode (indicated by a dimly lit standby button) and On mode.

2. Info

During playback, pressing this button will cycle through the different 'Now Playing' screens. Press and hold to display the product info, as well as options for updating the firmware, network setup mode and factory reset.

3. Source Selector

Scroll through sources enabled in the StreamMagic app.

4. Skip Previous

Skip to previous track during playback.

5. Play/Pause

Play or Pause current track.

6. Skip Next

Skip to next track during playback.

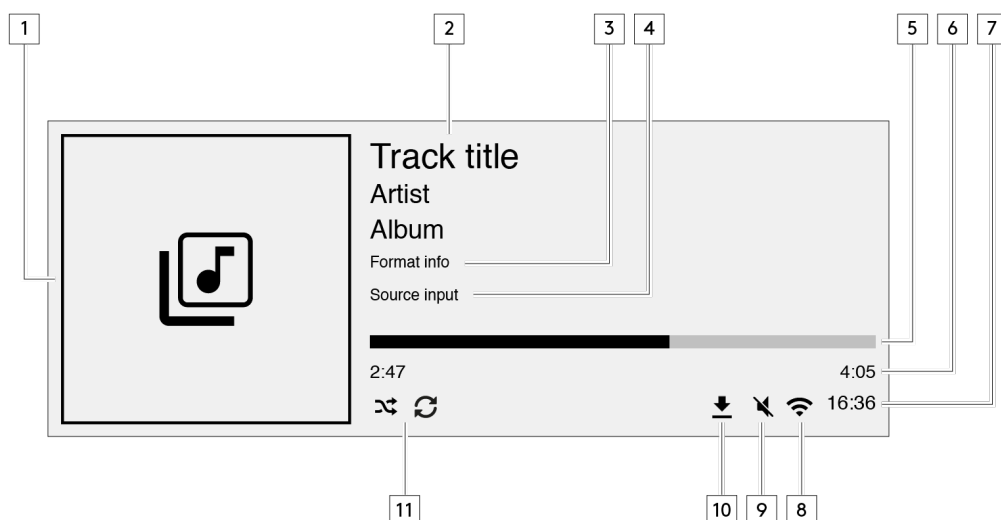
7. Volume Control

Increase or decrease volume.

8. Display

Display

Last updated: October 3, 2024 09:29. Revision #13681



1. Album/Source artwork

Displays the album artwork. Alternatively, if no artwork is available this will display the source input icon.

2. Track title, artist and album

For Internet Radio, this will display the radio station name and the current playback.

3. Format info

Displays the streaming sample rate. For Internet Radio, this will display the bitrate the station is streaming.

4. Source input

Displays the currently selected source input.

5. Progress bar

When available, this will display the current track progression during playback.

6. Track time

When available, this will display the elapsed track time during playback.

7. Clock

8. Network connection

Displays the current network connection.



Wireless network connection



Wireless connection with no internet access



Wired network connection



Wired connection with no internet access



No network connection

9. Mute volume

Displays when the speaker is muted.

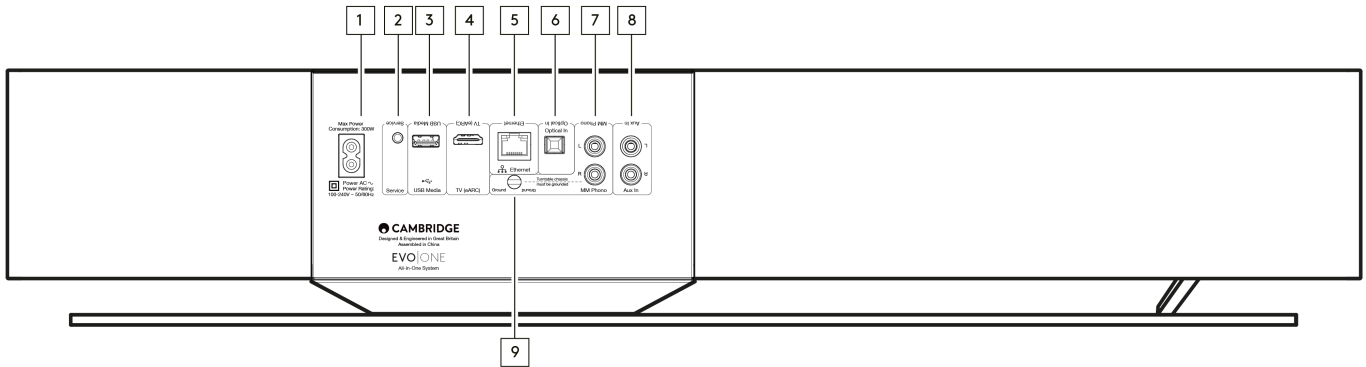
10. Firmware update

This indicates when new firmware is available. Press the 'Info' button on the front panel or use the StreamMagic app to update the network streamer's firmware.

11. Shuffle, Repeat and Repeat +1

Rear panel connections

Last updated: August 9, 2024 09:05. Revision #13547



1. AC Power socket

Once you have completed all connections to the player, plug the AC power cable into an appropriate mains socket.

2. Service Port

For servicing use only.

Note: Connecting any other device here may result in damage.

3. USB Media

For connecting local media storage. Note that the USB ports are not intended for connection to mobile devices; no functionality, charging or otherwise is supported.

Note: Connecting any other device here may result in damage.

4. TV (eARC)

Use to connect your speaker to your ARC or eARC enabled TV.

5. Ethernet

Use to connect your speaker directly to a network router. Use a wired connection for seamless playback of high-resolution 352.8kHz, 384kHz, and DSD up to 256x.

6. Digital Input (Optical)

Use a high quality TOSLINK fibre optic interconnect cable designed specifically for audio use. This input is suitable for 16-24 bit content up to 96kHz (TOSLINK is not recommended at 192kHz sampling rates).

7. & 9. MM Phono input

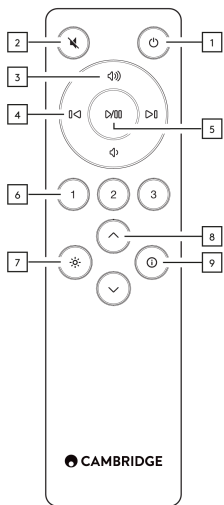
For connecting a turntable without an integrated phono stage that uses a moving magnet cartridge. If connecting your turntable to the phono input, please make sure you connect the ground of your turntable to the Ground tab of the Evo One.

8. Auxiliary input

Use this line-level input to connect any analogue sources, like a CD player, tuner or turntable with an integrated phono stage.

Remote control

Last updated: August 9, 2024 09:05. Revision #13546



1. Standby/On

Switches the Player between On and Standby mode.

2. Mute

Press to mute or un-mute the audio.

3. Volume up/down

Volume level adjust.

4. Skip previous/next

Skips between previous and next tracks.

5. Play/Pause

Play or Pause current track.

6. Preset buttons

Press to recall stored 1 - 3 presets. Press and hold to store the current source as a preset.

Note: Not available for media player queue, AirPlay or Chromecast sources.

7. Brightness

Pressing this button will alter the brightness of the display backlight between bright, dim and an option to switch off the backlight.

8. Source selection

Scroll through sources enabled in the StreamMagic app.

9. Info

During playback, pressing this button will cycle through 'Now Playing' screens. Press and hold to display the product info.

If the remote control will not function, please check that the batteries have not expired, and that there is nothing blocking the front panel IR sensor.

Getting connected

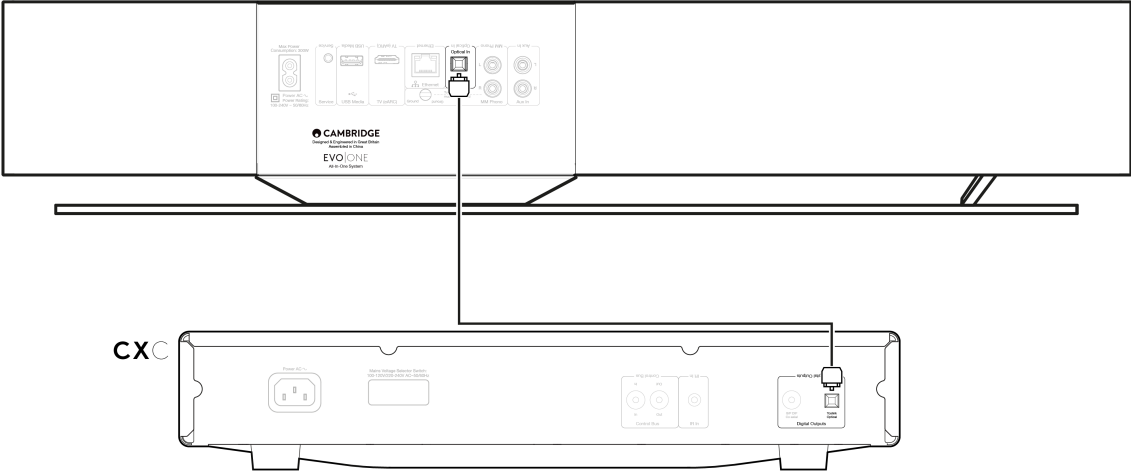
Last updated: August 9, 2024 09:06. Revision #13545

Basic Connections

Important Note: Switch the power off before making any connections.

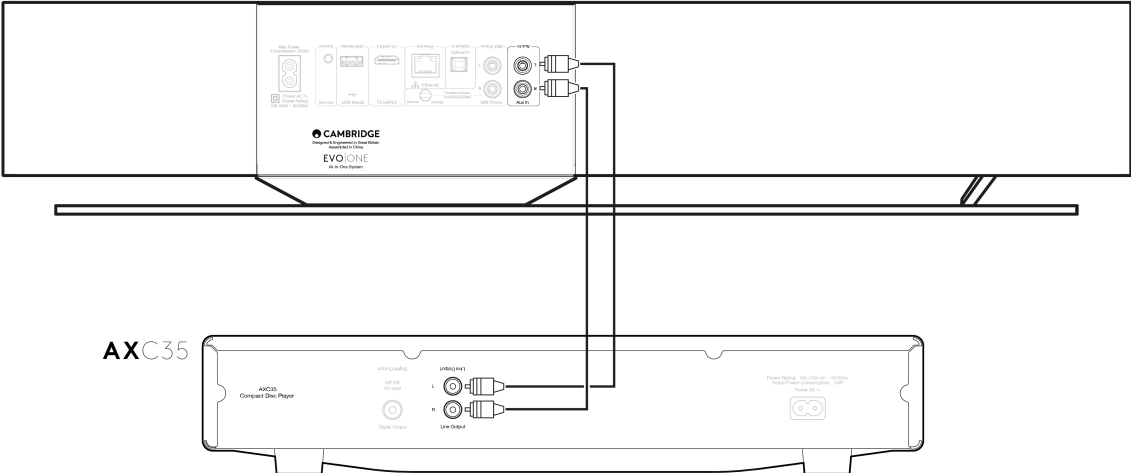
Digital Optical Input

A digital device such as a TV or CD player can be connected to the Optical input. This input is suitable for 16-24 bit content up to 96kHz (TOSLINK is not recommended at 192kHz sampling rates).



Analogue Auxiliary Input

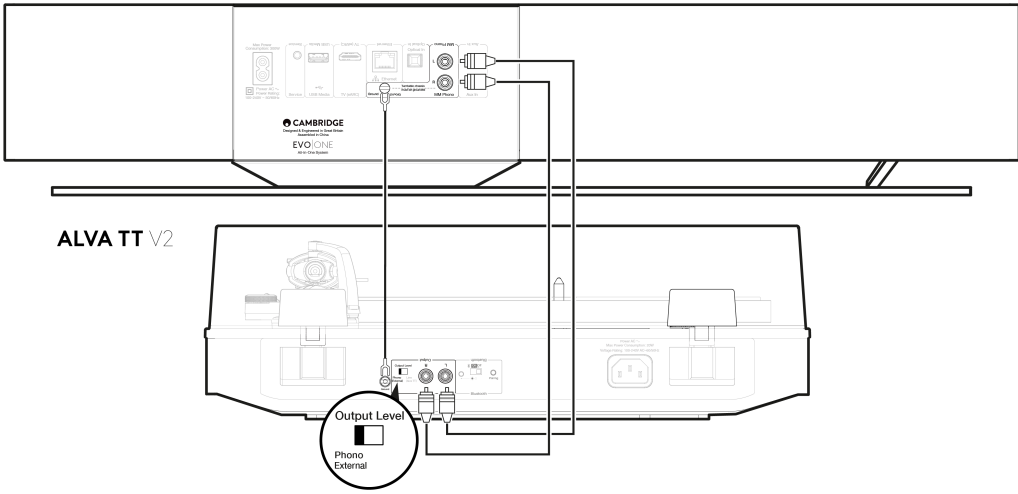
An analogue device such as a CD player, tuner or turntable with an integrated phono stage can be connected to this line level input.



MM Phono Input

A turntable without an integrated phono stage that uses a moving magnet cartridge can be connected to the MM Phono input.

When connecting a turntable to the Phono input, you will need to ensure that the turntable ground is connected to the ground tab of the EVO One, as shown below.



StreamMagic app - Setup

Last updated: August 9, 2024 09:07. Revision #13626

Your player is network connected, not only can you listen to devices connected to the inputs on the product but you can also stream music from many different sources both on your home network and from the internet.

To set up your player, please first download the StreamMagic app from the Apple app store or Google Play store.



Set up

1. Switch on your player and follow the on screen instructions to select your preferred language.
2. Open the StreamMagic app and follow the instructions provided to complete setting up your player on your network. This process will also apply any new updates that may be pending.

Note: During the set up process you will be asked to give your player a name, please make sure this is unique to your player. This will make it easier to find when using streaming and smart home services.

Once your player is connected to your home network you'll have full control of your sources, including internet radio, streaming services, network and USB drives and more.

For more information on our StreamMagic app, please visit: <https://www.cambridgeaudio.com/gbr/en/products/streammagic>

Google Home / Google Cast

Last updated: June 27, 2024 11:47. Revision #13560

Your player features Google Cast and can be incorporated in to your Google Home. To set up your player, download the Google Home app on your smart phone or tablet.



With Google Cast built in to your player, your phone becomes your remote. Simply tap the Cast button from apps you already know and love to stream music, podcasts and playlists from your phone, tablet or laptop to your player.

Google Cast

Your phone is your remote

- Simply tap the Cast button from apps you already know and love. No new logins or downloads required.
- Use your phone to search, play, pause and turn up the volume from anywhere in the home.
- While you're streaming, you can keep using your phone for other things - scroll through social media, send a text, and even accept calls.
- Enjoy music throughout your house when you use multi-room casting with Google Cast-enabled speakers.
- Just say "Hey Google" to cast to your player

Unlimited entertainment, all on your schedule

- Works with hundreds of apps and new apps are being added all the time.
- Choose from millions of songs from popular music services like Pandora, Spotify, and Youtube Music.

Note: When first setting up your Player via the StreamMagic app or after a factory reset, please ensure that you accept Google's terms and conditions when prompted to enable Google Cast functionality.

Android, Google Play and the Google Cast-enabled logo are trademarks of Google Inc.

Full Google Cast-enabled features may not be available in some territories.

AirPlay

Last updated: October 3, 2024 09:38. Revision #13688

AirPlay is an Apple technology designed to control home audio systems and speakers in any room — with a tap or by just asking Siri — right from iPhone, iPad, HomePod, or Apple TV. Play a song in the living room and kitchen at the same time or adjust the volume in any room, all in sync.

After installing your player, add it to the Apple Home app with a few simple steps using your iPhone or iPad

How to use AirPlay from iPhone or iPad

1. Ensure your player is connected to your network.
2. Open the app that you want to AirPlay from.


3. Tap  or .

4. Select your player as your AirPlay device.

How to use AirPlay from Control Center

To switch the audio on your device from Control Center:

Swipe down from the top right side of the screen on your device to open Control Center.

Touch and hold  in the upper-right corner, then select your player.

This product supports AirPlay 2 and requires iOS 11.4 or later.

Apple and AirPlay are trademarks of Apple Inc., registered in the U.S. and other countries.

Use of the Works with Apple badge means that an accessory has been designed to work specifically with the technology identified in the badge and has been certified by the developer to meet Apple performance standards.

Built-in streaming services

Last updated: October 3, 2024 09:34. Revision #13685

Your player has the following built-in streaming services:

- Spotify Connect
- TIDAL
- Qobuz
- Deezer

Note: It is essential that the device you are streaming from (smartphone, tablet, computer, etc.) is on the same Wi-Fi network as your player, to ensure that the units can communicate with each other.

Spotify Connect

Use your phone, tablet or computer as a remote control for Spotify.

Go to spotify.com/connect to learn more.

TIDAL (Connect)

1. Open the TIDAL app and choose the playlist, album, song, etc. that you wish to stream to your player.
2. Select the Sound Output devices icon within TIDAL and select your player from the list.
3. TIDAL Connect should now be streaming your chosen content to your player.

Go to tidal.com/connect to learn more

TIDAL (via StreamMagic)

1. Open the StreamMagic app and navigate to the Library tab, and then select TIDAL.

Note: Please ensure that you sign into your TIDAL account when prompted to do so. This will only be required on the first instance of use to link the account to the StreamMagic app.

2. Choose the playlist, album, song, etc. that you wish to stream to your player.
3. TIDAL should now be streaming your chosen content to your player.

Qobuz (via Google Cast)

1. Open the Qobuz app and choose the playlist, album, song, etc. that you wish to stream to your player.
2. Select the Google Cast icon within Qobuz and select your player from the Qobuz Connect list.
3. Qobuz should now be casting your chosen content to your player.

Qobuz (via StreamMagic)

1. Open the StreamMagic app and navigate to the Library tab, and then select Qobuz.

Note: Please ensure that you sign into your Qobuz account when prompted to do so. This will only be required on the first instance of use to link the account to the StreamMagic app.

2. Choose the playlist, album, song, etc. that you wish to stream to your player.
3. Qobuz should now be streaming your chosen content to your player.

Deezer (via Google Cast)

1. Open the Deezer app and choose the playlist, album, song, etc. that you wish to stream to your player.
2. Select the speaker icon within Deezer, then select 'Google Cast'. Select your player from the list.
3. Deezer should now be casting your chosen content to your player.

Deezer (via StreamMagic)*

1. Open the StreamMagic app and navigate to the Library tab, and then select Deezer.

Note: Please ensure that you sign into your Deezer account when prompted to do so. This will only be required on the first instance of use to link the account to the StreamMagic app.

2. Choose the playlist, album, song, etc. that you wish to stream to your player.

3. Deezer should now be streaming your chosen content to your player.

*Deezer is only available within the StreamMagic app when running firmware version 129-b-004 or later and StreamMagic app version 2.9.0 or later.

Internet radio

Last updated: October 3, 2024 09:36. Revision #13686

You can browse and play a wide variety of Internet Radio stations in the StreamMagic app Radio tab. You can also assign up to 99 of your favourite Internet Radio stations and other media as presets on your player, which can then be recalled using the StreamMagic app. A limited amount of presets can be recalled via the remote control if your player includes one.

You can search and assign a preset via the StreamMagic app:

1. Within the StreamMagic app navigate to the **Radio** tab.
2. Use the **Search for Radio** search tab at the top of the page or enter a Custom URL link by selecting URL.
3. Once you have located the station you wish to store, select and you will be prompted with the option to **Play now** or **Add to presets**.
4. Add station to the desired preset for your player between 1-99.
5. You will then receive confirmation that the station is saved to the chosen preset.

Note: Please ensure that the custom URL stream is one of the following supported file types: ALAC, WAV, FLAC, AIFF, DSD (x256), WMA, MP3, AAC, HE AAC AAC+, OGG Vorbis.

To remove a preset (iOS):

1. Within the StreamMagic app navigate to the **Home** tab.
2. Scroll to the bottom of the page where you find your player's **Presets**, and select **EDIT**.
3. To remove a station from preset, tap the red circle icon and then press **Delete**.

To remove a preset (Android):

1. Within the StreamMagic app navigate to the **Home** tab.
2. Scroll to the bottom of the page where you find your players **Presets**, and select **EDIT**.
3. Tap on the station you wish to remove.

Note: You may also assign a preset using a remote control if your player includes one, by pressing and holding a number on the remote whilst a station is playing.

Streaming your local digital music collection

Last updated: June 21, 2024 04:47. Revision #13556

Your player can play content from many different physical sources and this section will explain what you need to do to access and play your locally stored digital music collection. 'Locally Stored' means the digital music files you have on your **PC, Mac** or **Network Attached Storage devices (NAS)**.

To stream local content, you will need the following hardware and software running in your network:

1. Your Cambridge Audio Player.
2. A mobile device such as a smartphone or tablet on which you can run the StreamMagic app, or by accessing your collection via the front panel controls.
3. A hard drive, computer or NAS containing your compatible digital music files.
4. An active UPnP music or media server.
5. A router which is configured to allow the UPnP service.

Note: The above items must be correctly connected and configured, and it is important to note that depending on the server, NAS, computer, etc. you're using, this will differ from setup to setup. To help you with this we have created best practice guide which should get you up and running with minimal fuss and effort. This can be found [here](#).

Bluetooth

Last updated: October 3, 2024 09:37. Revision #13687

The Bluetooth source allows your player to receive wireless Bluetooth audio from most phones, tablets and laptops.

Pairing

To begin streaming high-quality music from your chosen media source it will first need to be paired with your player.

1. Within the StreamMagic App navigate to the Home tab.
2. Use the "Edit" option of the source to add the Bluetooth source.
3. Return to the Home tab and select the Bluetooth source.
4. Open your mobile device or laptop's Bluetooth settings.
5. Select your player from the list of available devices.
6. Your device should now connect to your player.

Once paired you should be able to connect to your player at any time by selecting the Bluetooth source on your player and then choosing your player from the list of previously connected devices.

Note:

Your Bluetooth device can only be connected to your player while the Bluetooth source is selected.

TV - eARC input

Last updated: June 19, 2024 03:34. Revision #13554

The ARC or eARC function on a TV allows it to send audio and control commands to a connected audio product. This allows the TV to switch on the audio product when needed, and also to control the volume from the TV remote.

In addition to allowing connection and control, eARC compatible TVs should also automatically set their output to an appropriate format compatible with the connected device.

Troubleshooting

No signal shown on the front panel or no audio output from your connected product

- Make sure the HDMI input on your TV supports ARC or eARC
- Make sure the TV is set to use a connected audio system rather than its internal speakers
- Make sure your HDMI cable is compatible with HDMI 1.4 or above
- For non eARC enabled TVs, make sure that the audio output of your TV is set to 'Stereo PCM (Uncompressed)'

TV will not switch on or control your connected product

- Make sure that 'TV Power Control' is enabled in the StreamMagic app on the TV ARC source settings page

Reporting an issue

If after following the above troubleshooting steps you still have a problem getting eARC to work with your product, please let our customer support team know.

USB Media

Last updated: October 3, 2024 09:39. Revision #13689

You may connect a USB SSD, USB HDD or flash drive to your player via the USB Media input located on the rear of the unit for playback. Once connected, the following formats are supported: ALAC, WAV, FLAC, AIFF, DSD, WMA, MP3, AAC, HE AAC, AAC+, OGG Vorbis

Note: your player will read large capacity hard drives connected to the USB input. However, some larger capacity drives will require you to use their own power supply.

Your player only supports USB hard drives which are formatted to FAT32, exFAT, NTFS and Ext4.

The primary function of your player is as a network music player. The USB ports are intended for convenient connection of USB thumb drives. As such, we cannot guarantee compatibility with all USB HDD's.

USB Media Playback (via StreamMagic app)

1. Connect a USB SSD, HDD or flash drive to rear panel USB Input.
2. Navigate to the Library tab of the StreamMagic app.
3. Under USB Drives, locate your USB Media device and open.
4. Upon selecting a track you will have the option to 'PLAY FROM HERE', 'PLAY TRACK NOW', 'PLAY TRACK NEXT' or 'QUEUE TRACK'.

Playback Options:

PLAY FROM HERE - Playback of album/folder will begin from this point onwards.

PLAY TRACK NOW - Selected track will playback immediately.

PLAY TRACK NEXT - Selected track will be added to queue and playback next.

QUEUE TRACK - Selected track will be added to playback queue.

Settings

Last updated: August 9, 2024 09:09. Revision #13551

Device Name

This is how your player will appear in your StreamMagic app and on your home network when using services like Spotify, Google Cast and TIDAL Connect.

Giving your player a unique name makes it easier to distinguish when using streaming and smart home services.

AirPlay Name

This is how your player will appear when using AirPlay or the Apple Home app.

Standby Mode

This selects what type of standby mode your player will use.

Network Standby means your player will still be controllable by the StreamMagic app and other network services.

If Eco mode is chosen your player will use even less power in standby but will need to be switched on either by the front panel or the remote control.

Automatic Power Down

This sets how long your player will wait while inactive before switching in to standby.

Display Brightness

This sets the brightness of your player's display and buttons. If set to 'Off' the display will show for a few seconds after any change and then switch off.

Volume Limit

This sets the maximum volume that other streaming services like AirPlay, Spotify, TIDAL Connect and Google Cast can set. The front panel, remote control and StreamMagic app volume controls can override this setting.

Early Update

Setting this to 'On' will let you try out the latest firmware ahead of general release.

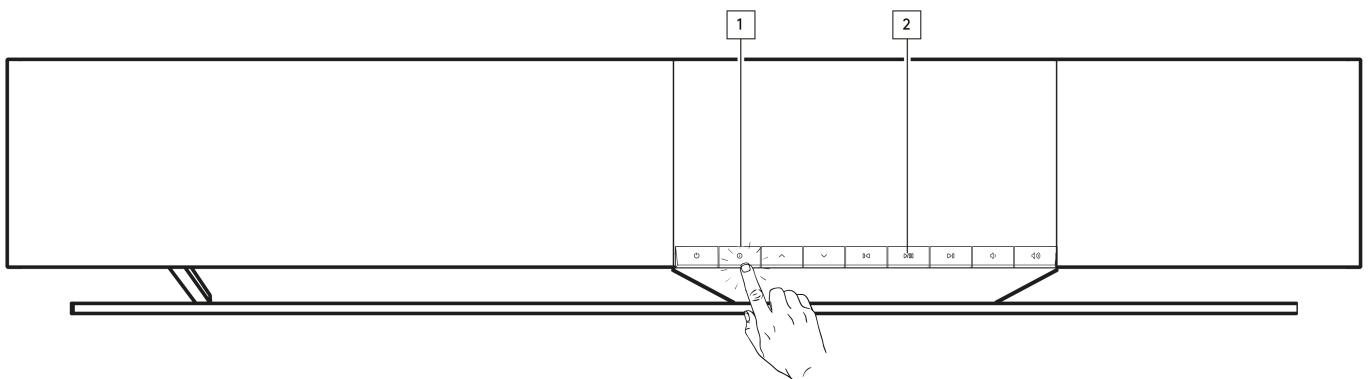
For more information and to find out what's new visit our [FAQ](#).

Firmware

This will check for and apply any new firmware available for your player.

You can also check for new updates on the info screen and manually update the unit's firmware by following the steps below:

1. Hold down the 'i' (Info) button on the front panel
2. As instructed on the display, press the 'play/pause' button to check for new firmware. The new firmware version will now update if there is one available.



When left in network standby overnight your player will check and apply any new updates.

Note: Your network player must be connected to the internet to carry out firmware updates. It is recommended that you keep your network player connected to ensure optimal performance.

Restart

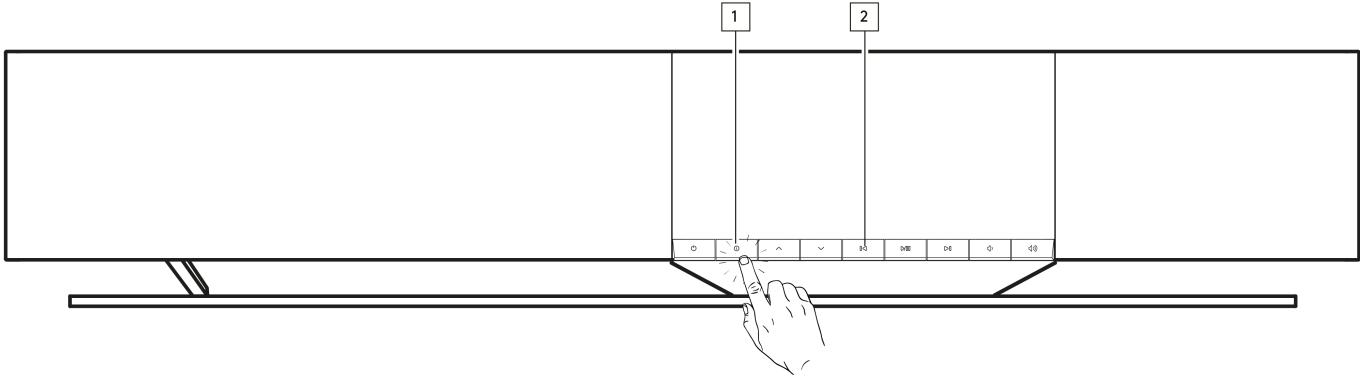
This will restart your player.

Factory Reset

This will return your player to its factory settings.

You can also do this from the info screen by following the steps below:

- 1. Hold down the 'i' (Info) button on the front panel.
- 2. As instructed on the display, hold down the 'reverse skip' button to perform the factory reset.



Audio Settings

Last updated: August 9, 2024 09:10. Revision #13552

Your player offers a lot of flexibility for customizing the sound to your personal preferences and room acoustics.

Speaker Placement

This function can be found under 'Room Settings' in the StreamMagic app home page.

Adjusts for placing the player near walls. Move the slider to match the distance to the closest wall behind the speaker.

Room Compensation

This function can be found under 'Room Settings' in the StreamMagic app home page.

Adjusts for the type of room you're in. Move the slider based on how reflective the surfaces are (hard surfaces like wood or tile will be more reflective than soft surfaces like carpet or curtains).

User EQ

This function can be found under 'EQ' in the StreamMagic app home page.

Provides precise control over the sound. Adjust individual frequency bands or choose presets for specific effects.

Loudness

This function can be turned on and off from the StreamMagic app volume setting page. Access this by selecting the volume icon on the 'Now Playing' bar in the app.

It ensures a balanced sound at any volume level, by compensating for hearing sensitivity at lower volume.

Technical specifications

Last updated: September 27, 2024 10:05. Revision #13579

POWER OUTPUT

14 x 50W into 4 Ohms

AMPLIFICATION

Class-D

SNR - 110dB

THD + N (at 1W, 1 kHz) - 0.03%

DRIVERS

14 channels:

4 x 1" silk dome tweeters

4 x 2.25" aluminium cone mid-range

6 x 2.75" long-throw woofers

FREQUENCY RESPONSE

38Hz to 20kHz +/-3dB

ANALOGUE AUDIO INPUTS

1 x Line level, 1 x MM phono

DIGITAL AUDIO INPUTS

1 x TOSLINK optical, 1 x TV eARC

CONNECTIVITY

UPnP, Local USB media, Airplay 2, Google Cast, Internet Radio, Spotify Connect, TIDAL, Qobuz, Deezer, RoonReady.

COMPATIBILITY

Audio Formats: WAV, FLAC, ALAC, AIFF, DSD (DSF and DFF), WMA, MP3 (CBR and VBR), AAC, HE AAC and AAC+ (CBR and VBR), OGG Vorbis

TOSLINK Optical: 16/24bit 32-192kHz PCM only

eARC/ARC: 16/24bit 32-192kHz PCM only

Bluetooth: 5.1 A2DP / AVRCP supporting SBC and AAC

Local USB Media: 1 x USB 2.0 current limited to 1A. PCM up to 32bit/384kHz, DSD up to 128x

UPnP: PCM up to 32bit/384kHz, DSD up to 128x

File Systems: FAT32, NTFS, Ext2/3/4, ExFAT

ETHERNET

IEEE 802.3, 10 Base-T or 100 Base-T

WI-FI

IEEE 802.11 a/b/g/n/ac (2.4GHz / 5GHz)

MAX POWER CONSUMPTION

300W

STANDBY POWER CONSUMPTION

<0.5W (ECO), <2W (Network Standby)

DIMENSIONS (W x H x D)

675 x 129 x 290mm (26.6 x 5.1 x 11.4")

WEIGHT

14.5kg (32lbs)

Source quality matrix

Last updated: August 9, 2024 09:10. Revision #13562

SOURCE	DELIVERY METHOD	MAXIMUM RESOLUTION
Spotify Connect	Mobile/Desktop App	320kbps
Spotify AirPlay	Mobile/Desktop App	320kbps
Spotify Chromecast	Mobile/Desktop App	320kbps
Spotify Bluetooth	Mobile/Desktop App	AAC
TIDAL Connect	Mobile/Desktop App	24bit / 192 kHz
TIDAL (via StreamMagic app)	StreamMagic App	24bit / 192 kHz
TIDAL AirPlay	AirPlay 2	16bit / 44.1 kHz
TIDAL Chromecast	Chromecast	24bit / 48 kHz
TIDAL Bluetooth	Bluetooth	AAC
TIDAL Roon	Roon Endpoint	24bit / 192 kHz
Qobuz (via StreamMagic app)	StreamMagic App	24bit / 192 kHz
Qobuz AirPlay	AirPlay 2	16bit / 44.1 kHz
Qobuz Chromecast	Chromecast	24bit / 48 kHz
Qobuz Bluetooth	Bluetooth	AAC
Qobuz Roon	Roon Endpoint	24bit / 192 kHz
Third Party App (via AirPlay)	AirPlay 2	16bit / 44.1 kHz
Third Party App (via Chromecast)	Chromecast	24bit / 48 kHz
Third Party App (via Bluetooth)	Bluetooth	AAC

Troubleshooting

Last updated: August 9, 2024 09:12. Revision #13563

If you have trouble connecting the Player to your network or the StreamMagic app to your Player, these steps may help to resolve the problem:

- Ensure that you have followed the 'Connecting to WiFi' steps in the [manual here](#).
- Ensure your mobile device is connected to the same network you wish to connect your Player to.
- Remove any VPN or Anti Virus app you may have downloaded on your mobile device, as they can sometimes prevent the app from 'seeing' other devices on the network.
- Remove any network switches/extenders etc. that are part of your network set up
- Connect the unit directly to your router via an Ethernet cable.
- Perform a factory reset on your unit, and then attempt the network set up steps again.
- Check that a DHCP server is available, or that you have configured a static IP address on your Player. You can configure a static IP address on the unit via the 'Network' settings in the StreamMagic app.
- Reboot and/or factory reset your router.

If your Player is experiencing audio dropouts during playback from a network source, these steps may help to resolve the problem:

- Remove any network switches, extenders, boosters etc. that may be part of your network set up
- Connect the unit directly to your router via an Ethernet cable.
- Reset your network router.
- Perform a factory reset on your Player by following the steps in the manual [here](#).

If your Player can connect to the network successfully but is unable to play particular Internet Radio stations, it may be due to one of the following causes:

- The station is not broadcasting at this time of the day (remember it may be in a different time zone).
- The link in our database is simply out of date. (You can request that a radio station is added or updated by following the steps in the [following FAQ](#).)
- The Internet connection between the server (often located in a different country) and you is slow.
- Try deleting and then re-installing the StreamMagic app on your device.
- If the station is set as a preset, delete and then re-install the station as a preset in the StreamMagic app.
- Perform a factory reset on your Speaker by following the steps in the manual [here](#).

If you have problems with UPnP playback check the following:

- Ensure your chosen UPnP server software can serve the file type you are trying to access. Some servers do not serve FLAC for instance.
- This Player can only play non-DRM files. Files that have DRM controls cannot be played.
- If attempting to play 24-bit WAV or FLAC content, note a wired Ethernet connection is normally preferred for reliable operation due to bandwidth considerations.
- Check the Player can play back the file type you are trying to access. ALAC, WAV, FLAC, AIFF, DSD (x256), WMA, MP3, AAC, HE AAC AAC+, OGG Vorbis can currently be played.
- Ensure your PC/NAS drive are connected to the same network as your Player.
- Ensure you have followed the required steps for PC/NAS drive configuration. You can find out more about this in the following [FAQ](#).

If you have problems with USB Media playback check the following:

- Check the Player can play back the file type you are trying to access. ALAC, WAV, FLAC, AIFF, DSD (x256), WMA, MP3, AAC, HE AAC AAC+, OGG Vorbis can currently be played.
- This Player can only play non-DRM files. Files that have DRM controls cannot be played.
- Check that your device does not require more than 1A if it is powered from the USB socket itself.
- Check your device is formatted in FAT32/NTFS/exFAT/Ext4 format.
- The way you organise your USB media affects the size of the internal database the Player needs to build dynamically as you browse content. It is good practice to create folders for Artists, within which should be a sub folder for each album containing the tracks for that album. Libraries with thousands of tracks in one folder will progressively slow down the Player's media browsing.

If you have problems connecting a Bluetooth device to the Player check the following:

- Ensure the Bluetooth source has been selected via the remote control, app or front panel source selector. You will be unable to pair a Bluetooth device to the Player unless the Bluetooth source has been selected.
- Ensure the Player is not already connected to another Bluetooth device.

There is no sound:

- Ensure the Player is not in Standby mode.
- Ensure the Player is not muted.
- Ensure the correct source has been selected via the remote control, app or front panel source selector.
- Check that any connected device is not in mute mode.

There is a buzz or hum when connecting a turntable to the Phono input:

- Check that the ground lead is securely connected to both the turntable and the Player's ground tab.
- Ensure all cable connections are secure.

Frequently asked questions

Last updated: August 9, 2024 09:12. Revision #13542

Can I play from a connected source, such as a turntable or USB HD, when the Evo One is not connected to a network?

As the Evo One is a Network Player, it requires a network connection to function properly. This means you cannot play from connected sources like a turntable or USB HD when the Evo One is not connected to a network. The network connection is necessary for setting up the unit, selecting sources, and using the StreamMagic app.

Please note that it is strongly recommended that the Evo One is connected to a network at all times.

Can I access features such as Internet Radio and streaming services via the front panel?

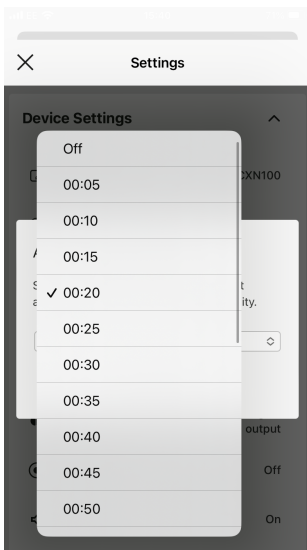
It is not possible to access services and features via the front panel of the Evo One. You will be able to access many features via the StreamMagic app, as well as integrated services such as TIDAL, Spotify etc. via their respective apps.

You will be able to select specific sources via the front panel source selector.

How do I stop the Evo One from powering down when not in use?

The Evo One will automatically switch to standby mode after 20 minutes of inactivity. This Automatic Power-Down (APD) feature can be disabled, by navigating to the device settings within the StreamMagic app.

You can either disable this feature, or edit the length of time it takes for APD to be triggered, by selecting 'Automatic Power-Down'.



How do I use the different EQ settings for the Evo One?

The Evo One has different EQ and audio customization settings that can be accessed via the StreamMagic app. An explanation of these different audio settings can be found in the manual [here](#).