



Zero-GTM Screens

Levitating motorized screen



ZERO-G (Flush Mount)

Think rollable television

ZERO-G

Min: 80" (2032mm), Max: 160" (4064mm)

Features and Benefits

Re-imagines standard motorized screens and deploys a “levitating” image exactly where you want it.

- Levitating motorized screen
- Can be deployed in places where a rigid TV cannot
- All screens come with Wall Switch, IR Remote, and Low Voltage Trigger
- Minimum drop of 12" and Maximum drop of 7.9' (95"), depending on screen size
- Removable upper motor lift tube with single pin release
- PCB is slide removable from the case
- Screen surface is tab-tensioned
- Material roll pre-installed from the factory
- Automatic upper limit by optical sensor
- Available in flush (in-ceiling) or external (wall) mount options

Power and Control

Wired integration and control

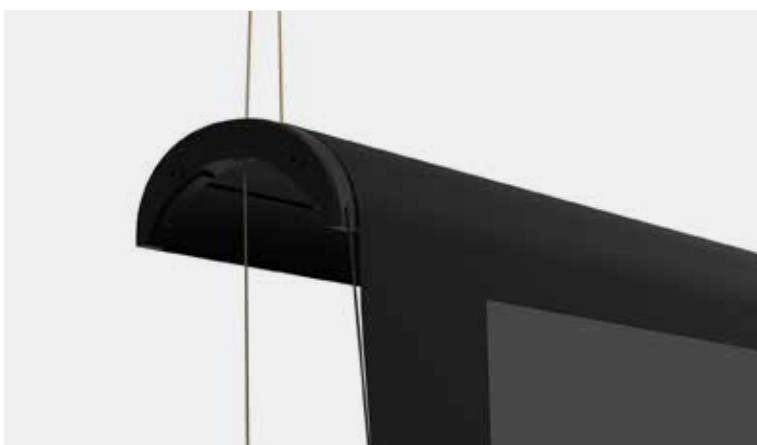
- Contact closure*
- 12v trigger
- IR

Levitating Motorized Screen



Think Rollable Television®. Zero-G re-imagines standard motorized screens and deploys a “levitating” image exactly where you want it.

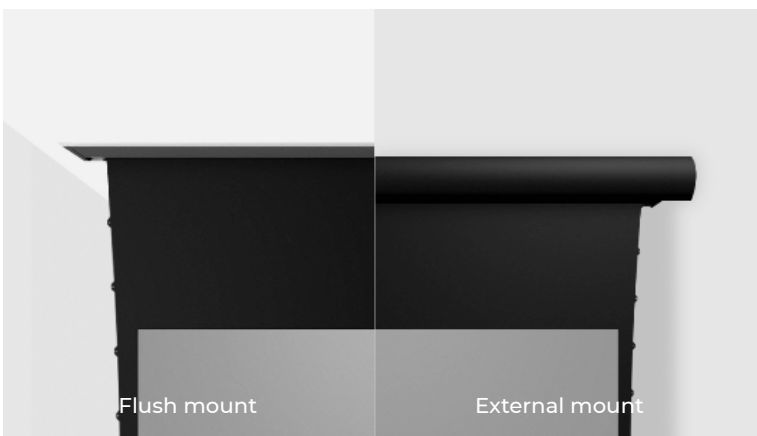
Cord color options



With our 5 cord color options, you can match Zero-G to your wall color to make it stand out !



Mounting/ Case Options



- Flush (in-ceiling) or external (wall) configuration.
- Black or white color options for external case.
- Top side recessed electrical control cable access.
- Optional separated shipping for case and material roll/motor assembly.
- Safety clips on external fascia

Drop



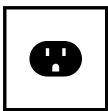
- Minimum Drop: 12"
- Maximum Drop: 7.9' (95")
- Maximum drop is dependent upon the screen diagonal

Simple Design



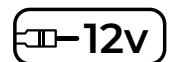
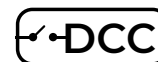
Zero-G is simple and smooth with features such as removable PCB and lift tubes, pre-programmed doors (flush unit only), and automatic upper limits.

Power & Control



110v AC / 220v AC

Powerful and quiet, our motors handle screens up to 160" diagonal. Options for control include 12v Trigger, IR and Dry Contact.



Screen Material Options



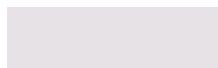
Slate 1.2



Pure White 1.3



360 Rear-Pro



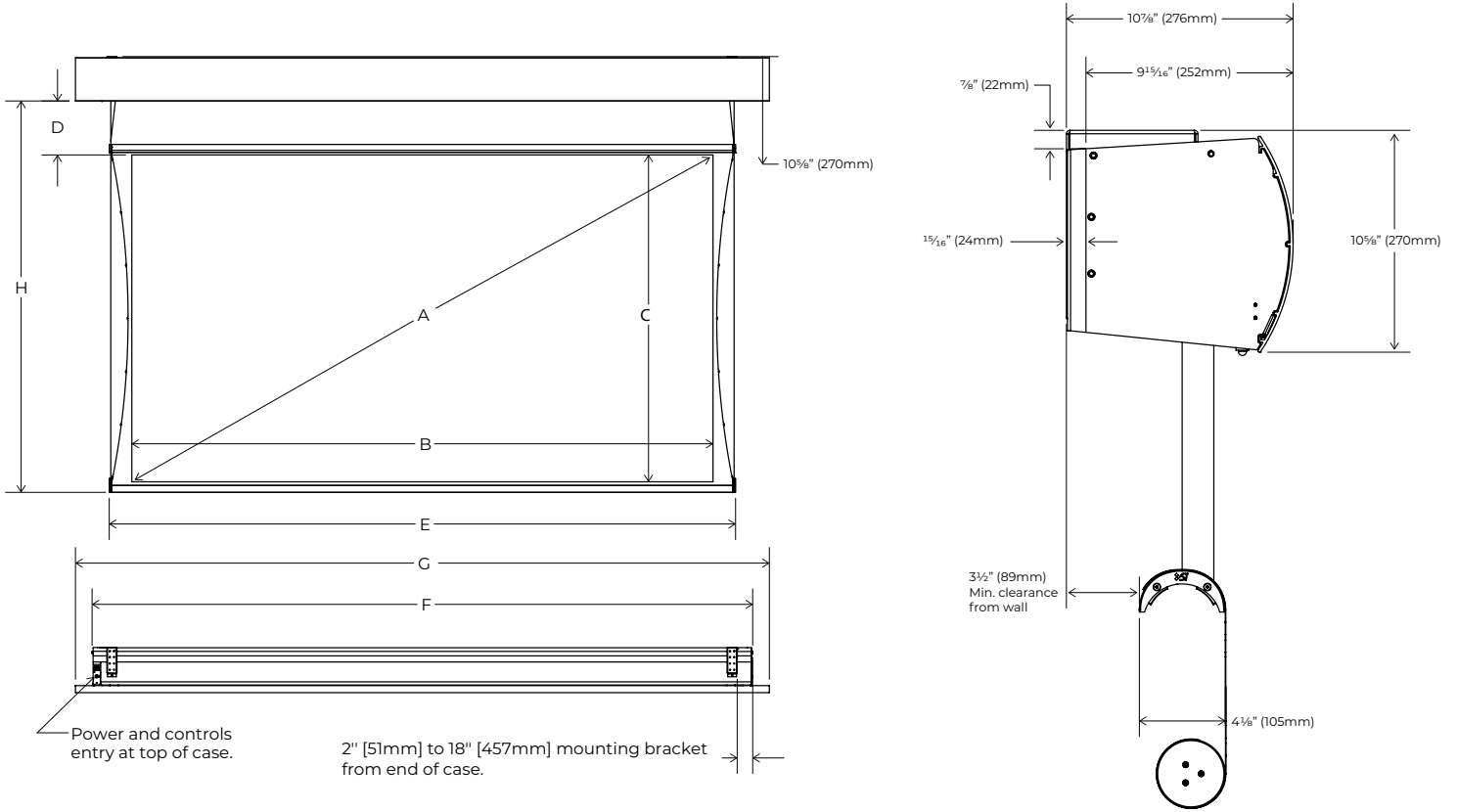
Pure Gray .85



Unity 1.0

Zero-G offers many screen material options including high performance ALR materials like Slate 1.2 to achieve high contrast images.

Screen Sizes and Measurements (External Mount)



Screen Sizes and Measurements (External Mount)

Theater HDTV (16:9) Format Dimensions

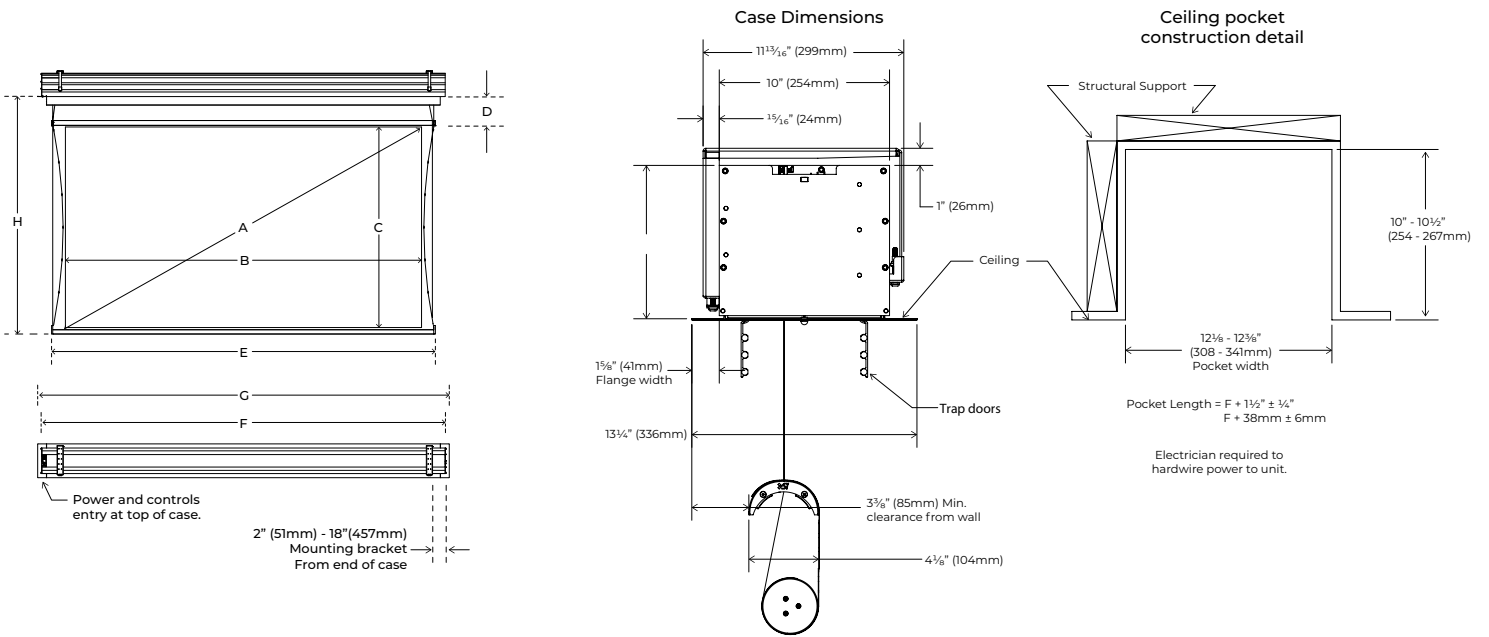
Viewing Area H x W (C X B)				Standard Diagonal (A)		Overall Case Length (F)		Overall Flange Length (G)		Approx. Ship. Wt.	
In.		mm		In.	mm	In.	mm	In.	mm	Lbs.	Kg
39.25" X 69.75"		997 X 1,772		80"	2,032	82.75"	2,102	90.75"	2,305	117	53
45.125" X 80.188"		1,146 X 2,037		92"	2,337	93.875"	2,384	101.875"	2,588	129	59
49" X 87.188"		1,245 X 2,215		100"	2,540	101.313"	2,573	109.313"	2,777	137	62
51.938" X 92.375"		1,319 X 2,346		106"	2,692	106.938"	2,716	114.938"	2,919	143	65
53.938" X 95.875"		1,370 X 2,435		110"	2,794	110.688"	2,811	118.688"	3,015	147	67
58.813" X 104.563"		1,494 X 2,656		120"	3,048	120.125"	3,051	128.125"	3,254	157	71
65.188" X 115.938"		1,656 X 2,945		133"	3,378	132.5"	3,366	140.5"	3,569	171	78
78.438" X 139.438"		1,992 X 3,542		160"	4,064	158.5"	4,026	166.5"	4,229	199	90

Wide (16:10) Format Dimensions

Viewing Area H x W (C X B)				Standard Diagonal (A)		Overall Case Length (F)		Overall Flange Length (G)		Approx. Ship. Wt.	
In.		mm		In.	mm	In.	mm	In.	mm	Lbs.	Kg
42.375" X 67.813"		1,076 X 1,722		80"	2,032	81.188"	2,062	89.188"	2,265	116	53
48.75" X 78"		1,238 X 1,981		92"	2,337	92.125"	2,340	100.125"	2,543	128	58
53" X 84.813"		1,346 X 2,154		100"	2,540	99.438"	2,526	107.438"	2,729	135	61
56.188" X 89.875"		1,427 X 2,283		106"	2,692	105"	2,667	113"	2,870	141	64
58.313" X 93.25"		1,481 X 2,369		110"	2,794	108.688"	2,761	116.688"	2,964	145	66
63.625" X 101.75"		1,616 X 2,584		120"	3,048	118"	2,997	126"	3,200	155	70
70.5" X 112.813"		1,791 X 2,865		133"	3,378	130.25"	3,308	138.25"	3,512	169	77
78.438" X 125.5"		1,992 X 3,188		148"	3,759	144.5"	3,670	152.5"	3,874	184	83

Screen materials may expand and contract slightly over time. SI allows a 1.5% tolerance within the viewing surface.

Screen Sizes and Measurements (Flush Mount)



Screen Sizes and Measurements (Flush Mount)

Theater HDTV (16:9) Format Dimensions

Viewing Area H x W (C X B)				Standard Diagonal (A)		Overall Case Length (F)		Overall Flange Length (G)		Approx. Ship. Wt.	
In.		mm		In.	mm	In.	mm	In.	mm	Lbs.	Kg
39.25" X 69.75"		997 X 1,772		80"	2,032	82.75"	2,102	85.405"	2,169	144	65
45.125" X 80.188"		1,146 X 2,037		92"	2,337	93.875"	2,384	96.53"	2,452	159	72
49" X 87.188"		1,245 X 2,215		100"	2,540	101.313"	2,573	103.968"	2,641	169	77
51.938" X 92.375"		1,319 X 2,346		106"	2,692	106.938"	2,716	109.593"	2,784	176	80
53.938" X 95.875"		1,370 X 2,435		110"	2,794	110.688"	2,811	113.343"	2,879	181	82
58.813" X 104.563"		1,494 X 2,656		120"	3,048	120.125"	3,051	122.78"	3,119	194	88
65.188" X 115.938"		1,656 X 2,945		133"	3,378	132.5"	3,366	135.155"	3,433	211	96
78.438" X 139.438"		1,992 X 3,542		160"	4,064	158.5"	4,026	161.155"	4,093	246	112

Wide (16:10) Format Dimensions

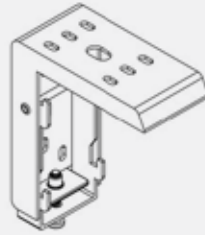
Viewing Area H x W (C X B)				Standard Diagonal (A)		Overall Case Length (F)		Overall Flange Length (G)		Approx. Ship. Wt.	
In.		mm		In.	mm	In.	mm	In.	mm	Lbs.	Kg
42.375" X 67.813"		1,076 X 1,722		80"	2,032	81.188"	2,062	83.843"	2,130	142	64
48.75" X 78"		1,238 X 1,981		92"	2,337	92.125"	2,340	94.78"	2,407	156	71
53" X 84.813"		1,346 X 2,154		100"	2,540	99.438"	2,526	102.093"	2,593	166	75
56.188" X 89.875"		1,427 X 2,283		106"	2,692	105"	2,667	107.655"	2,734	174	79
58.313" X 93.25"		1,481 X 2,369		110"	2,794	108.688"	2,761	111.343"	2,828	179	81
63.625" X 101.75"		1,616 X 2,584		120"	3,048	118"	2,997	120.655"	3,065	192	87
70.5" X 112.813"		1,791 X 2,865		133"	3,378	130.25"	3,308	132.905"	3,376	208	94
78.438" X 125.5"		1,992 X 3,188		148"	3,759	144.5"	3,670	147.155"	3,738	228	103

Screen materials may expand and contract slightly over time. SI allows a 1.5% tolerance within the viewing surface.

Accessories



SI IR Receiver & Remote



L Bracket (in-wall/on-ceiling)



Suspended Ceiling Bracket
(threaded rod attachment)

Aspect Ratio

16:9 | 16:10

Passed third party fire performance evaluation in accordance with underwriters laboratories (UL) 2043-13, fire test for heat and visible smoke release for discrete products and their accessories installed in air-handling spaces



Screen Innovations®
9715-B Burnet Rd, Suite 400 Austin, TX 78758
512.832.6939
www.screeninnovations.com
sales@screeninnovations.com