

Voice 22

M O O N
by SIMAUDIO

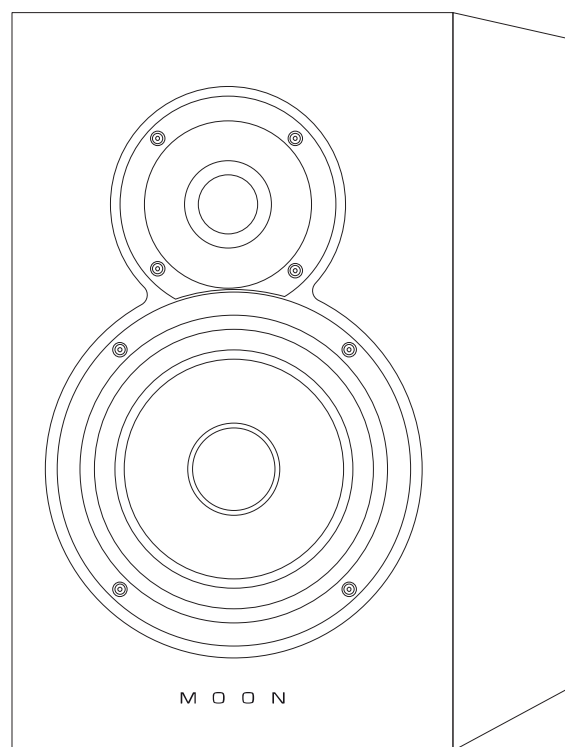


Table of Contents

3	Introduction
4	Set up
5	Connection
6	Placement
7	Care
8	Specifications

1 | Introduction

Congratulations! You are now the proud owner of a pair of MOON Voice 22 loudspeakers!

We have applied our four decades of audio design experience to create these beautiful loudspeakers. Featuring premium materials and industry-leading technologies, they bring the renowned MOON sound to life.

We hope they provide a lifetime of listening pleasure.

Please follow these simple guidelines to get the most out of your new loudspeakers.

2 | Setup

Contents

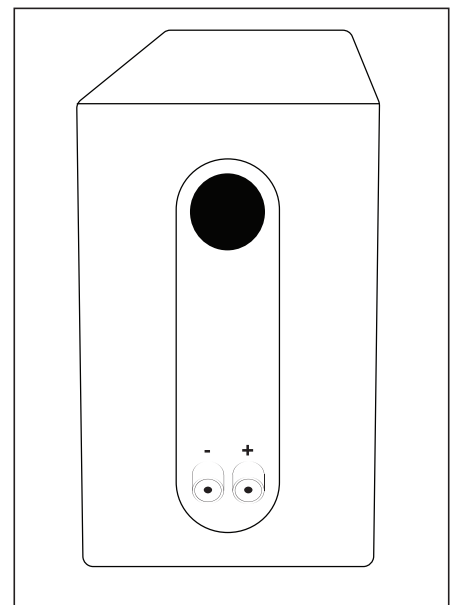
- Loudspeakers (2) • Hover Bases (2, preinstalled) • Grilles (2) • Foam Dampeners (2)
- Owner's Guide • Warranty

Assembly

1. Holding the sides of the cabinets and avoiding placing hands on their front and rear baffles, carefully remove each loudspeaker from the packaging.
2. Gently snap the magnetic speaker grilles onto the fronts of the Voice 22 cabinets.
3. Leave the Hover Bases attached to the cabinets.
Remove if installing with the matching MOON stand. Insert a finger in the designated opening at the rear of the Hover Base to pull it away.
4. Clear an appropriate space for the loudspeakers on a flat, level surface, and move the stands or cabinets into place. When using stands, move the stands first and then the cabinets.
Do not attempt to move them together.
5. Connect the speaker cables (not included) to the binding posts on the rear of each cabinet.

3 | Connection

1. Ensure that electronic components — e.g., amplifiers — are powered down before connecting or disconnecting cables.
2. Connect a cable from the positive (indicated in red or by a "+") output terminal of the amplifier to the red terminal on the rear of the speaker cabinet. Connect the negative amplifier output from the same amplifier channel to the black speaker terminal (*Drawing A*).
3. Connector Types:
 - If your cable is terminated with banana pins, they should slide into the holes at the end of the posts.
 - If not, unscrew the colored cylinder around the metal post to expose a second hole, insert the bare wire or spade connector, and tighten the cylinder to hold the cable in place.



Drawing A

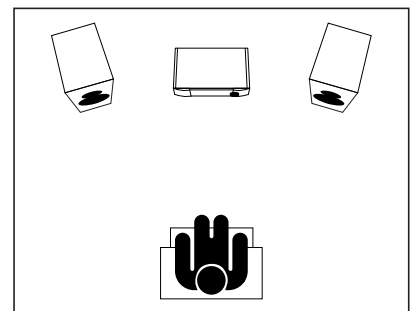
4 | Placement

These loudspeakers are expertly designed to deliver great performances without elaborate fine-tuning.

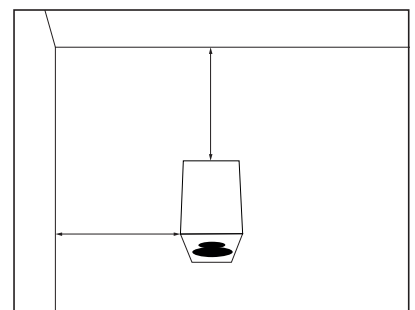
Ideally, ensure that the speakers align vertically with the listener's ears. Position them equidistant from the listener, forming a triangle with the listener. Rotate the speakers so that they fire toward the listener, aiming them slightly beyond the listening position (*Drawing B*).

For best results, remove the protective grilles and avoid positioning the loudspeakers in corners or tight spaces. Where possible, maintain a space between the loudspeakers and surrounding walls equivalent to at least twice the dimensions of the cabinet (*Drawing C*).

If it is impossible to achieve sufficient distance between a loudspeaker and the wall behind it, low frequencies may sound bloated and sluggish. Plugging the port on its rear with the included foam dampener could reduce this effect.



Drawing B



Drawing C

5 | Care

Regular maintenance of the Voice 22 is unnecessary. Despite the best intentions, even the mildest cleaning product could damage the finish on the cabinet.

For years of enjoyment, keep it out of direct sunlight.

Damage to the cabinet from abuse or improper care is not covered by the warranty and cannot be repaired.

When cleaning is inevitable, use a dry microfiber cloth or a feather duster on the cabinet and refrain from contact with the speaker components.

6 Specifications

Tweeter	29mm soft dome with waveguide
Woofer	155mm polypropylene cone
Sensitivity	89dB/2.83V/1m
Nominal Impedance	6Ω
Recommended Power	50W – 150W
Frequency Response	±3dB: 55Hz – 24kHz
Frequency Range	-6dB: 45Hz – 30kHz
Crossover	1.5kHz
Dimensions (W x H x D)	20cm x 35cm x 29cm
Weight	10.5kg