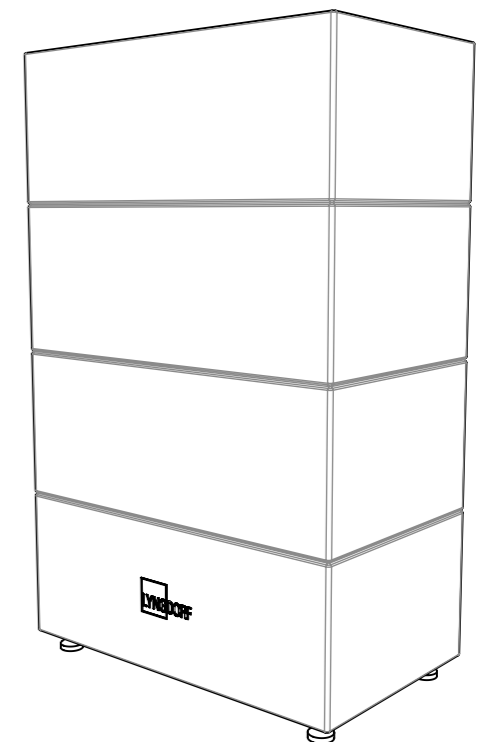
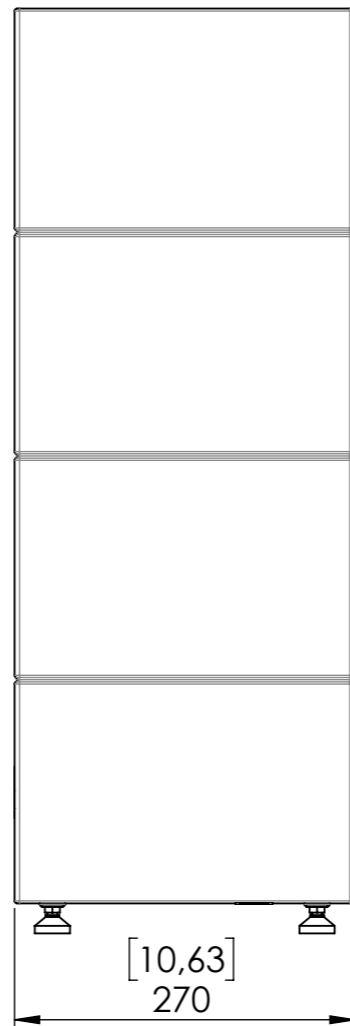
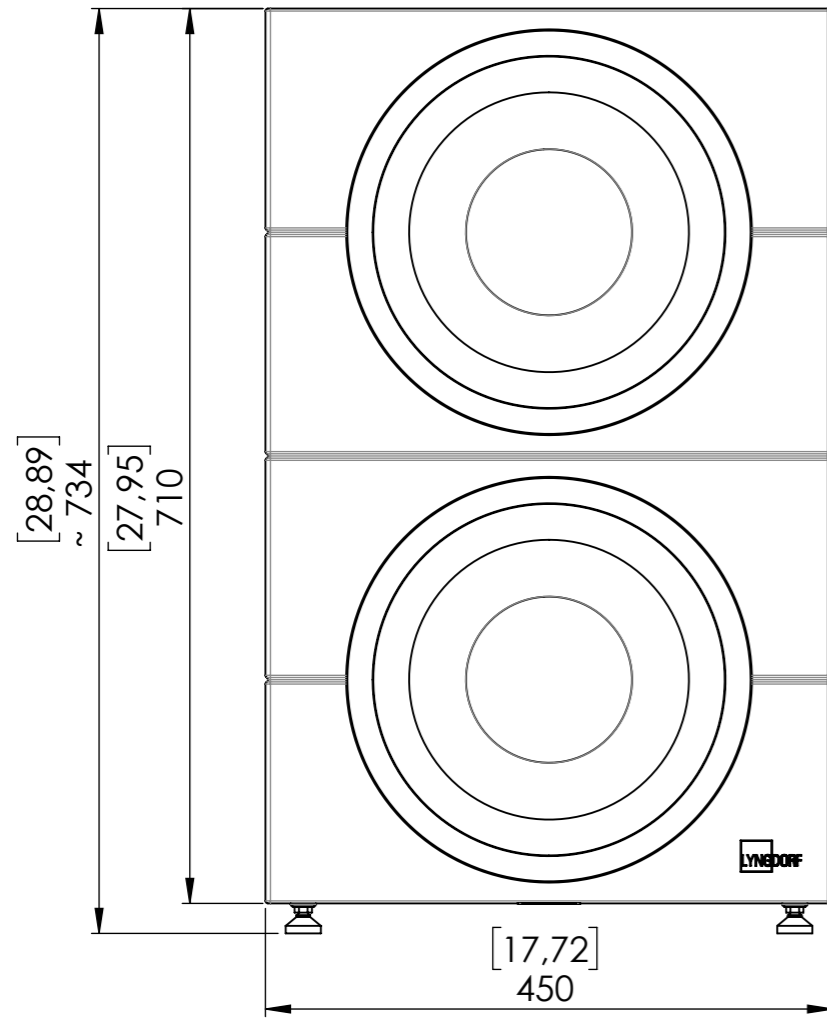


Neutrik Speakon Connector



Unless otherwise specified:

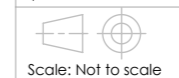
Dimensions are in millimeters.
Tolerances according to DIN/ISO 2768-mK.
Debur and break sharp edges.

Material to comply with EU RoHS Directive 2002/95/EC.



Lyngdorf Audio, Denmark
www.lyngdorf.com

Proprietary and confidential.
The information contained
in this drawing is the sole
property of Lyngdorf Audio.
Any reproduction in part or
as a whole without the written
permission of Lyngdorf Audio
is prohibited.



Rev.By:	Rev.Date:	Sheet 1 of 1
Material:		
Finish:		Date: 11-11-2020
Colour:	Weight:	Creator: Brian Nielsen
Description: BW-20		
Part No.:	(Revision)	