

## Beosound A5

User Guide

Betjeningsvejledning

Bedienungsanleitung

Guía del usuario

Mode d'emploi

Guida utente

ユーザーガイド

사용 설명서

Gebruikershandleiding

Guia do utilizador

Руководство пользователя

Användarhandbok

用户指南

使用者指南

## Languages

English, 3

Dansk (*Danish*), 19

Svenska (*Swedish*), 34

Deutsch (*German*), 49

Nederlands (*Dutch*), 64

Français (*French*), 79

Español (*Spanish*), 94

Italiano (*Italian*), 109

Português (*Portuguese*), 124

Русский (*Russian*), 139

日本語 (*Japanese*), 154

한국어 (*Korean*), 169

简体中文 (*Simplified Chinese*), 184

繁體中文 (*Traditional Chinese*), 199

## Table of Contents

Getting Started, 4

Download the Bang & Olufsen app, 5

Daily Use, 7

Multiroom, 9

Customise your sound, 11

Stereo pairing, 12

Battery life and charging, 13

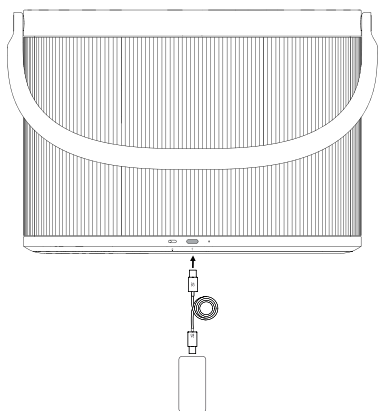
Qi charging, 15

Status indicator light, 16

Microphone, 17

Reset Beosound A5, 18

## GETTING STARTED

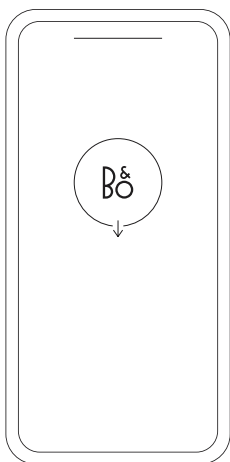


Take your new Beosound A5 out of the box and plug in the cable.

The battery is already charged, but the speaker is in storage mode to preserve it. When you plug in the cable, Beosound A5 wakes up and is ready to be set up.

Start listening right away and download the Bang & Olufsen app to explore the full features and functions.

## DOWNLOAD THE BANG & OLUFSEN APP



Get the complete experience when you download the Bang & Olufsen app.

Set up your new Beosound A5 and make it your own. Update to the newest functions, find the perfect level with precision volume control, and tailor the sound to your taste with Beosonic Sound Modes.

You can also dive into deep features like the beta tester community and get remote support if you need help.

## **Connect to Wi-Fi**

The easiest way to connect your Beosound A5 to Wi-Fi is via the Bang & Olufsen app. Simply download the app and follow the instructions on screen. You'll be set up in a matter of minutes.

If you don't wish to use the app, you can still connect via the Wi-Fi settings on your device (if you're on iPhone or iPad) or via the Google Home app.

## **Playing your content**

Start playing from the source of your choice and select Beosound A5 as the speaker to listen on. The following streaming features are available when connected to Wi-Fi:

- AirPlay 2
- Chromecast built-in
- Spotify Connect
- Tidal Connect
- QPlay
- DLNA
- Deezer (via the Bang & Olufsen app)
- B&O Radio (via the Bang & Olufsen app)



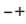


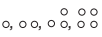
On Wi-Fi, you can enjoy the highest sound quality without interruptions – even if you get a call or your device disconnects. You can also connect several speakers in a multiroom experience (see “Multiroom” for more information).

Additionally, you can stream via Bluetooth. See “Bluetooth” for more information.

## DAILY USE



Use the buttons on the top of Beosound A5 to quickly access essential functions:

Symbol	Function
	Press to switch the speaker on. Press and hold for two seconds to switch it off.
	Press and hold for two seconds to pair to Bluetooth devices. See “Bluetooth” for more information.
	Press to turn volume up or down.
	Press to play or pause content. Press and hold for two seconds to join a Beolink Multiroom experience. See “Multiroom” for more information.
	Press to skip songs or stations.
	Four Favourite Buttons provide one-touch access to radio stations or playlists. See “Favourites” for more information.

Other features on the Beosound A5 top panel are:

A	Indicator light, showing product status. See “Status indicator light” for more information.
B	Qi charger. See “Qi charging” for more information.
C	Built-in microphones (3).

### Bluetooth

A network connection is required to use the complete features of Beosound A5, but you can listen anywhere with Bluetooth.

To pair a new device, press and hold the Bluetooth button for two seconds. When the light starts pulsing blue, go to the Bluetooth settings on your device and select Beosound A5.

To connect to the last used Bluetooth device, press the Bluetooth button shortly.

### **Favourites**

Get instant access to your favourite content with the four Favourite Buttons. A single press will have you listening right away.

The buttons come pre-populated with the most popular radio stations in your area and can easily be configured to whatever you want: Other stations via B&O Radio or playlists via Spotify Connect and Deezer.

To save a favourite, start playing either radio or a playlist on your device. Then press and hold the selected Favourite Button for two seconds. A sound will play to confirm your choice is saved.

Once saved, a short press on the Favourite Button will start playing your favourite content immediately.



## MULTIROOM



Make the whole house come together in song. Beosound A5 can connect to other speakers in a multiroom system and let multiple speakers across your home play the same content at the same time. You can enjoy multiroom in several different ways:

### **Beolink Multiroom**

Beolink is Bang & Olufsen's own multiroom system. It can distribute anything playing on your Beosound A5 to other Bang & Olufsen speakers and televisions on the same network.

To use Beolink Multiroom, start playing on one speaker and then press and hold [▶||] on another speaker (for two seconds) to join it – all without a smartphone. You can also use the Bang & Olufsen app to see which products are playing and add more to the ongoing experience without walking to them.

Note: To use Beolink Multiroom and AirPlay together, first open the Bang & Olufsen app and go to Product settings -> Beolink Multiroom -> Enable AirPlay.

Note: Beolink Multiroom can't be used together with Chromecast built-in.

### **Apple AirPlay**

To create a multiroom experience with AirPlay, select multiple speakers from the sound output menu on your Apple device. Beosound A5 can also play together with speakers from other brands that support AirPlay 2.

## **Chromecast built-in**

When casting content to your speakers via Chromecast, you can use the Google Home app on your smartphone to group speakers to play together. In the app, select Media and choose the speakers to add to the experience.

## CUSTOMISE YOUR SOUND

Adjust the sound and get the most of your Beosound A5 in the Bang & Olufsen app.

### Sound Modes

With Sound Modes, you can curate the sound to your taste and occasion. Choose between the included Sound Modes or create your own with Beosonic.

Custom Sound Modes can be saved for later from Beosonic and activated with one touch. When you save a sound mode, it remembers both Beosonic and sound direction settings.

To reorder or delete Sound Modes, press [≡] next to the Sound mode buttons.



### Beosonic

Press [⊙] to tailor the sound with Beosonic. Move the dot to find your preferred overall sound. Spread or pinch with two fingers to change the immersiveness.



### Sound Directivity

Choose between two different directivity modes, depending on the situation:

Front directs the sound to listeners in front of the speaker. This is ideal when the speaker is placed against a wall.

Omni creates an even sound field around the speaker, perfect for the park or a picnic with listeners all over.

### RoomSense

With Beosound A5 you can use RoomSense, Bang & Olufsen's proprietary room compensation. It optimises the sound to the speaker's placement in the room.

Activate RoomSense in the Bang & Olufsen app under Sound Settings. The microphones in Beosound A5 must be switched on while RoomSense is being performed.

## STEREO PAIRING



Connect two Beosound A5s as a pair for a full and flexible stereo experience. Stereo pairing is available when both speakers have been set up in the Bang & Olufsen app with the same account and are connected to the same network.

### **Stereo pair with the Bang & Olufsen app**

In the app, select your speaker, then Sound settings -> Create stereo pair. Then choose the other speaker for your stereo pair.

### **Separating a pair**

To separate a pair and use the speakers individually, you can press and hold [< >] buttons at the same time for two seconds on either speaker, or go to Sound settings in the Bang & Olufsen app.

## BATTERY LIFE AND CHARGING



With the built-in battery, Beosound A5 can play more than 12 hours at typical listening levels and up to 4 hours at maximum volume.

When Beosound A5 is not connected to power, the light next to the charging port will briefly show the remaining battery life when you switch it on:

Colour	Pattern	Meaning
Green	Solid	More than 40 % of battery life remaining.
Amber	Solid	Less than 40 % of battery life remaining.
Red	Solid	Less than 10 % of battery life remaining.
	Flashing	Less than 1 % of battery life remaining. The speaker will switch off unless connected to power.

At 10 % and 1 % you will also hear a notification sound.

Charge Beosound A5 with the included USB-C power adaptor. Connect it to the charging port at the back of the speaker. The light next to the charging port will indicate charging status:

Colour	Pattern	Meaning
Amber	Pulsing slowly	Charging.
Green	Solid	Fully charged. The light will turn off after five minutes.

## **Sleep and storage**

With a fully charged battery, Beosound A5 can stay in sleep mode for up to 10 days before needing to be charged again. During this time, it will instantly wake up at the press of the power button.

If you plan on not using your Beosound A5 for a long time, you can activate storage mode to preserve battery. When the speaker is switched on, press and hold the power button for eight seconds. You will hear another sound to confirm storage mode.

Note: To switch the speaker back on from storage mode, you must connect it to power with a cable.

## QI CHARGING



You can charge smartphones and other Qi-compatible devices on top of your Beosound A5. Place your device in or on the dotted circle to start charging.

The light indicator will show the charging status of the device:

Colour	Pattern	Meaning
Amber	Pulsing slowly	Charging.
Green	Solid	Fully charged.
Red	Flashing	Error, e.g. foreign objects detected on the pad. Remove the device and possible obstructions, then try again.

Note: Charging other devices while Beosound A5 is not plugged in will shorten battery playtime. You can turn off the Qi charging feature in the Bang & Olufsen app.

## STATUS INDICATOR LIGHT



The light indicator is located on the top of Beosound A5, next to the power button, and shows the status of the speaker:

Colour	Pattern	Meaning
White	Solid	The speaker is on and connected to a network and/or a Bluetooth device.
	Pulsing slowly	Paused, press play to resume playback.
	Flashing	Starting up.
Blue	Solid	Bluetooth device connected successfully.
	Pulsing	Open for Bluetooth pairing.
Amber	Solid	Not connected to network or Bluetooth.
	Flashing	Ready to connect to Wi-Fi.
	Pulsing slowly	Device charging on the Qi charger.
Green	Solid	Device on the Qi charger is fully charged.
	Pulsing slowly	Software updating - wait until light turns solid white again.
Red	Flashing	Temporary error (e.g. overheating or Qi charging error).
	Solid	Static error - contact support for assistance. You can also reach support through the Bang & Olufsen app.



## MICROPHONE

Beosound A5 has built-in microphones that are used by RoomSense for optimising the sound of the speaker to its placement.

If you wish to disconnect the microphones, move the slider switch [🔇] next to the charging port to the leftmost position (switch will show orange). RoomSense can't be set up when the microphones are disconnected.

## RESET BEOSOUND A5

### **Wi-Fi setup mode**

To disconnect Beosound A5 from the current Wi-Fi network and connect it to a new one, press and hold [< >] buttons at the same time for two seconds. The indicator light will start flashing orange, and the speaker is ready to be connected via the Bang & Olufsen app.

To cancel Wi-Fi setup and connect back to the previous network, press and hold the buttons again.

Note: If your Beosound A5 is currently stereo paired, pressing and holding the buttons will instead separate the pair. Once the stereo pair has separated, press and hold the buttons again to enter Wi-Fi setup mode.

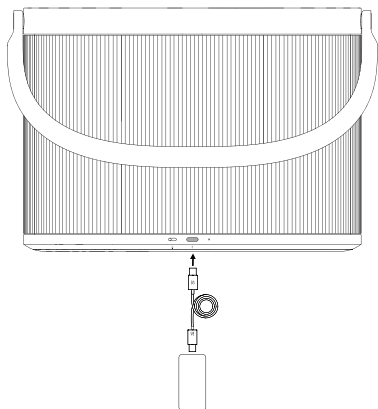
### **Hardware reset**

If your Beosound A5 becomes unresponsive, press and hold the power button [⏻] for 20 seconds to reset the hardware and restart the product. This is not a factory reset - your settings will not be erased.

### **Restore factory settings**

To erase all settings and reset Beosound A5 to factory default settings, press and hold [< >] buttons at the same time for 8 seconds. Once the speaker has restarted and the light indicator flashes orange, it is ready to be set up again via the Bang & Olufsen app.

## KOM I GANG

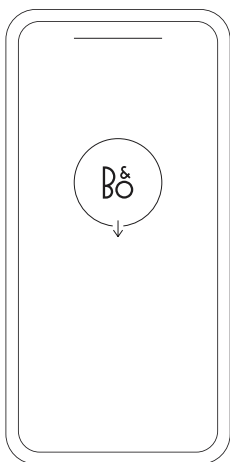


Tag din nye Beosound A5 ud af æsken, og tilslut kablet.

Batteriet er allerede opladet, men højttaleren er i lagringstilstand for at beskytte det. Når du tilslutter kablet, vågner Beosound A5 op og er klar til at blive opsat.

Begynd at lytte med det samme, og download Bang & Olufsen-appen for at udforske alle funktioner og egenskaber.

## DOWNLOAD BANG & OLUFSEN APPEN



Få den fulde oplevelse, når du downloader Bang & Olufsen-appen.

Opsæt din nye Beosound A5, og gør den til din egen. Opdater til de nyeste funktioner, find det perfekte niveau med præcis lydstyrkeregulering, og skræddersy lyden, som du ønsker, med Beosonic lydtyper.

Du kan også dykke ned i dybe funktioner som f.eks. betatesterfællesskabet og få fjernsupport, hvis du har brug for hjælp.

## **Opret forbindelse til wi-fi**

Den nemmeste måde at tilslutte din Beosound A5 til wi-fi er via Bang & Olufsen-appen. Download appen, og følg instruktionerne på skærmen. Du vil være klar i løbet af få minutter.

Hvis du ikke ønsker at bruge appen, kan du stadig oprette forbindelse via wi-fi-indstillingerne på din enhed (hvis du bruger iPhone eller iPad) eller via Google Home-appen.

## **Afspilning af dit indhold**

Start afspilning fra en kilde efter eget valg, og vælg Beosound A5 som den højttaler, du vil lytte med. Følgende streamingfunktioner er tilgængelige, når de er tilsluttet wi-fi:

- AirPlay 2
- Chromecast built-in
- Spotify Connect
- Tidal Connect
- Qplay
- DLNA
- Deezer (via Bang & Olufsen-appen)
- B&O Radio (via Bang & Olufsen-appen)

På wi-fi kan du nyde den højeste lyd kvalitet uden afbrydelser – også selvom du modtager et opkald, eller din enhed mister forbindelsen. Du kan også tilslutte flere højttalere i en Multiroom-oplevelse (se “Multiroom” for at få mere information).

Derudover kan du streame via Bluetooth. Se “Bluetooth” for at få mere information.

## DAGLIG BRUG



Brug knapperne øverst på Beosound A5 til at få hurtig adgang til vigtige funktioner:

Symboler	Funktion
⏻	Tryk for at tænde for højttaleren. Tryk og hold nede i to sekunder for at slukke for den.
⌘	Tryk og hold nede i to sekunder for at parre Bluetooth-enheder. Se "Bluetooth" for at få mere information.
-+	Tryk for at skrue op eller ned for lydstyrken.
⏸	Tryk for at afspille eller sætte indhold på pause. Tryk og hold nede i to sekunder for at deltage i en Beolink Multiroom-oplevelse. Se "Multiroom" for at få mere information.
<>	Tryk for at springe sange eller stationer over.
○ ○ ○ ○ ○ ○ ○ ○	Fire favoritknapper giver dig adgang til radiostationer eller afspilningslister med et enkelt tryk. Se "Favoritter" for at få mere information.

Andre funktioner på Beosound A5s toppanel er:

A	Lysindikator, der viser produktstatus. Se "Statusindikator" for at få mere information.
B	Qi-oplader. Se "Qi-opladning" for at få mere information.
C	Indbyggede mikrofoner (3).

## **Bluetooth**

Der kræves en netværksforbindelse for at bruge alle funktionerne hos Beosound A5, men du kan lytte hvor som helst med Bluetooth.

For at parre med en ny enhed skal du trykke på Bluetooth-knappen og holde den nede i to sekunder. Når lyset begynder at blinke blå, skal du gå til Bluetooth-indstillingerne på din enhed og vælge Beosound A5.

Tryk kort på Bluetooth-knappen for at oprette forbindelse til den sidst anvendte Bluetooth-enhed.

## **Favoritter**

Få øjeblikkelig adgang til dit yndlingsindhold med de fire favoritknapper. Med et enkelt tryk kan du lytte med det samme.

Knapperne er allerede indstillet med de mest populære radiostationer i dit område og kan let konfigureres efter dine ønsker: andre stationer via B&O Radio eller afspilningslister via Spotify Connect og Deezer.

Hvis du vil gemme en favorit, skal du begynde at afspille enten radio eller en afspilningsliste på din enhed. Tryk derefter på den valgte favoritknap, og hold den nede i to sekunder. Der afspilles en lyd for at bekræfte, at dit valg er gemt.

Når du har gemt den, vil et kort tryk på favoritknappen begynde at afspille dit yndlingsindhold med det samme.

## MULTIROOM



Få hele huset til at synge med på en sang. Beosound A5 kan tilsluttes andre højttalere i et Multiroom-system og lade flere højttalere i dit hjem afspille det samme indhold på samme tid. Du kan nyde Multiroom på flere forskellige måder:

### **BeoLink Multiroom**

Beolink er Bang & Olufsens eget Multiroom-system. Det kan distribuere alt, hvad der afspilles på din Beosound A5, til andre Bang & Olufsen-højttalere og TV'er på samme netværk.

Hvis du vil bruge Beolink Multiroom, skal du starte afspilning på en højttaler og derefter trykke på [▶|] og holde den nede på en anden højttaler (i to sekunder) for at tilslutte den - alt sammen uden en smartphone. Du kan også bruge Bang & Olufsen-appen til at se hvilke produkter, der afspiller, og tilføje flere til den igangværende oplevelse uden at skulle rejse dig op.

Bemærk: Hvis du vil bruge Beolink Multiroom og AirPlay sammen, skal du først åbne Bang & Olufsen-appen og gå til Produktindstillinger -> Beolink Multiroom -> Aktivér AirPlay.

Bemærk: Beolink Multiroom kan ikke bruges sammen med den indbyggede Chromecast.



## **Apple AirPlay**

Hvis du vil skabe en Multiroom-oplevelse med AirPlay, skal du vælge flere højttalere i Sound Output-menuen på din Apple-enhed. Beosound A5 kan også spille sammen med højttalere fra andre mærker, der understøtter AirPlay 2.

## **Chromecast built-in**

Når du caster indhold til dine højttalere via Chromecast, kan du bruge Google Home-appen på din smartphone til at gruppere højttalere, så de kan spille sammen. Vælg Medier i appen, og vælg de højttalere, der skal tilføjes oplevelsen.

## TILPAS DIN LYD

Juster lyden, og få mest muligt ud af din Beosound A5 i Bang & Olufsen-appen.

### Lydtilstande

Med Lydtyper kan du tilpasse lyden til din smag og til anledningen. Vælg blandt de inkluderede lydtyper, eller opret dine egne med Beosonic.

Brugerdefinerede lydtyper kan gemmes til senere fra Beosonic og aktiveres med et enkelt tryk. Når du gemmer en lydtype, husker den både indstillingerne for Beosonic og lydretningen.

Hvis du vil ændre rækkefølgen eller slette lydtyper, skal du trykke på [≡] ved siden af knapperne for lydtilstand.



### Beosonic

Tryk på [☉] for at tilpasse lyden med Beosonic. Flyt prikken for at finde din foretrukne overordnede lyd. Spred eller knib med to fingre for at ændre den omsluttende effekt.



### Lydretning

Du kan vælge mellem to forskellige indstillinger for lydretning afhængigt af situationen:

Front peger lyden mod lytterne foran højttaleren. Dette er ideelt, når højttaleren er placeret op mod en væg.

Omni skaber et jævnt lydfelt omkring højttaleren, hvilket er perfekt til parken eller en picnic, hvor der er lyttere hele vejen rundt.

### RoomSense

Med Beosound A5 kan du bruge Bang & Olufsens patenterede rumkompensation, RoomSense. Det optimerer lyden til højttalerens placering i rummet.

Aktivér RoomSense i Bang & Olufsen-appen under Lydindstillinger. Mikrofonerne i Beosound A5 skal være tændt, mens RoomSense udføres.

## STEREOPARRING



Tilslut to Beosound A5'er som et par for at få en komplet og fleksibel stereooplevelse. Stereoparring er tilgængelig, når begge højttalere er oprettet i Bang & Olufsen-appen med den samme konto og er tilsluttet det samme netværk.

### **Stereoparring med Bang & Olufsen-appen**

I appen skal du vælge din højttaler og derefter Lydindstillinger -> Opret stereoparring i appen. Vælg derefter den anden højttaler til dit stereopar.

### **Bryd parring**

Hvis du vil bryde en parring og bruge højttalerne individuelt, kan du trykke på knapperne [ $<$   $>$ ] samtidig i to sekunder på begge højttalere eller gå til Lydindstillinger i Bang & Olufsen-appen.

## BATTERILEVETID OG OPLADNING



Med det indbyggede batteri kan Beosound A5 spille i mere end 12 timer ved almindelig lydstyrke og i op til 4 timer ved maksimal lydstyrke.

Når Beosound A5 ikke er tilsluttet strøm, vil lyset ved siden af opladningsporten kortvarigt vise den resterende batterilevetid, når du tænder for den:

Farve	Mønster	Betydning
Green	Konstant	Mere end 40 % batterilevetid tilbage.
Rav	Konstant	Mindre end 40 % batterilevetid tilbage.
Rød	Konstant	Mindre end 10 % batterilevetid tilbage.
	Blinker	Mindre end 1 % batterilevetid tilbage. Højtaleren slukker, medmindre den er tilsluttet strøm.

Ved 10 % og 1 % vil du også høre en notifikationslyd.

Oplad Beosound A5 med den medfølgende USB-C-strømadapter. Tilslut den til opladningsporten bag på højtaleren. Lyset ved siden af opladningsporten viser status for opladning:

Farve	Mønster	Betydning
Rav	Pulserer langsomt	Oplader.
Green	Konstant	Fuldt opladet. Lyset slukker efter fem minutter.

## **Dvale og opbevaring**

Med et fuldt opladet batteri kan Beosound A5 forblive i dvaletilstand i op til 10 dage, før den skal oplades igen. I dette tidsrum vågner den straks op ved tryk på tændknappen.

Hvis du ikke skal bruge din Beosound A5 i længere tid, kan du aktivere lagringstilstand for at spare på batteriet. Når højttaleren er tændt, skal du trykke på tændknappen og holde den nede i otte sekunder. Du vil høre en anden lyd for at bekræfte lagringstilstand.

Bemærk: Hvis du vil tænde højttaleren, når den er i lagringstilstand, skal du tilslutte den strøm med et kabel.

## QI-OPLADNING



Du kan oplade smartphones og andre Qi-kompatible enheder oven på din Beosound A5. Placer din enhed i eller på den stiplede cirkel for at starte opladningen.

Lysindikatoren viser enhedens opladningsstatus:

Farve	Mønster	Betydning
Rav	Pulserer langsomt	Oplader.
Green	Konstant	Fuldt opladet.
Rød	Blinker	Fejl, f.eks. fremmedlegemer registreret på pladen. Fjern enheden og eventuelle forhindringer, og prøv derefter igen.

Bemærk: Hvis du oplader andre enheder, mens Beosound A5 ikke er tilsluttet, forkorter du batteriets spilletid. Du kan slå Qi-opladningsfunktionen fra i Bang & Olufsen-appen.

## STATUSINDIKATOR:



Lysindikatoren er placeret på toppen af Beosound A5 ved siden af tændknappen og viser højttalerens status:

Colour	Pattern	Meaning
Farve	Mønster	Betydning
Hvid	Konstant	Højttaleren er tændt og forbundet til et netværk og/eller en Bluetooth-enhed.
	Pulserer langsomt	Sat på pause, tryk på afspil for at genoptage afspilningen.
	Blinker	Starter.
Blå	Konstant	Bluetooth-enheden er forbundet.
	Pulserer	Åben til parring med Bluetooth.
Rav	Konstant	Ikke forbundet til netværk eller Bluetooth.
	Blinker	Klar til at oprette forbindelse til wi-fi.
	Pulserer langsomt	Enhed oplader på Qi-opladeren.
Green	Konstant	Enheden på Qi-opladeren er fuldt opladet.
	Pulserer langsomt	Softwareopdatering - vent, indtil lyset bliver hvidt igen.
Rød	Blinker	Midlertidig fejl (f.eks. overophedning eller Qi-opladningsfejl).
	Konstant	Statisk fejl - kontakt support for at få hjælp. Du kan også få support via Bang & Olufsen-appen.

## MIKROFON

Beosound A5 har indbyggede mikrofoner, der bruges af RoomSense til at optimere højttalerens lyd i forhold til placeringen.

Hvis du ønsker at frakoble mikrofonerne, skal du flytte skyderen [🔇] ved siden af opladningsporten længst til venstre (knappen viser orange). RoomSense kan ikke opsættes, når mikrofonerne er frakoblet.



## NULSTILLING AF BEOSOUND A5

### **Wi-fi-konfigurationstilstand**

Hvis du vil afbryde forbindelsen mellem Beosound A5 og det aktuelle wi-fi-netværk og oprette forbindelse til et nyt netværk, skal du trykke på knapperne [ $\lt \gt$ ] og holde dem nede i to sekunder samtidig. Indikatorlyset begynder at blinke orange, og højttaleren er klar til at blive tilsluttet via Bang & Olufsen-appen.

Hvis du vil annullere wi-fi-konfigurationen og oprette forbindelse til det tidligere netværk, skal du trykke på knapperne og holde dem nede igen.

Bemærk: Hvis din Beosound A5 i øjeblikket er stereoparret, vil de i stedet blive adskilt, når du trykker og holder knapperne nede. Når stereoparret er adskilt, skal du trykke på knapperne igen og holde dem nede for at gå til wi-fi-konfigurationstilstand.

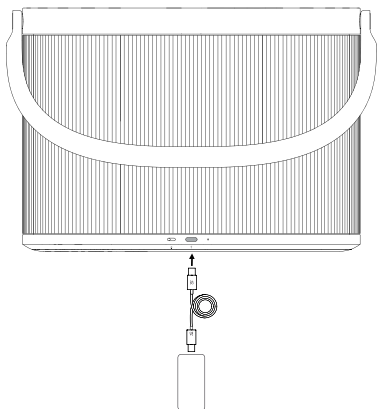
### **Nulstilling af hardware**

Hvis din Beosound A5 ikke reagerer, skal du trykke på tændknappen [ $\text{⏻}$ ] i 20 sekunder for at nulstille hardwaren og genstarte produktet. Dette er ikke en gendannelse af fabriksindstillingerne – dine indstillinger bliver ikke slettet.

### **Gendan fabriksindstillinger**

Hvis du vil slette alle indstillinger og nulstille Beosound A5 til fabriksindstillingerne, skal du trykke på knapperne [ $\lt \gt$ ] og holde dem nede i 8 sekunder samtidig. Når højttaleren er genstartet, og lysindikatoren blinker orange, er den klar til at blive konfigureret igen via Bang & Olufsen-appen.

## KOMMA IGÅNG

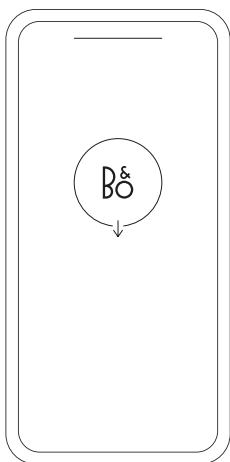


Ta upp din nya Beosound A5 ur kartongen och anslut kabeln.

Batteriet är redan laddat, men högtalaren är i förvaringsläge för att spara på batteriet. När du ansluter kabeln vaknar Beosound A5 och är redo att konfigureras.

Börja lyssna direkt och ladda ner Bang & Olufsen-appen för att utforska alla funktioner.

## LADDA NED BANG & OLUFSEN-APPEN



Genom att ladda ner Bang & Olufsen-appen får du tillgång den fullständiga upplevelsen.

Konfigurera din nya Beosound A5 och gör den till din egen. Uppdatera till de senaste funktionerna, hitta den perfekta volymnivån med precisionskontroll och skräddarsy ljudet efter din egen smak med Beosonic-ljudlägen.

Du kan också ta del av fördjupade funktioner som vår betatestcommunity och få fjärrsupport om du behöver hjälp.

## **Anslut till wifi**

Det enklaste sättet att ansluta din Beosound A5 till wifi är genom Bang & Olufsen-appen. Det är bara att ladda ner appen och följa instruktionerna på skärmen. Konfigurationen är klar på några minuter.

Om du inte vill använda appen kan du ändå ansluta genom wifi-inställningarna på din enhet (om du använder iPhone eller iPad) eller genom appen Google Home.

## **Spela upp ditt innehåll**

Börja spela upp från valfri källa och välj Beosound A5 som högtalare att lyssna på. Följande streamingfunktioner är tillgängliga när du är ansluten till wifi:

- AirPlay 2
- Chromecast built-in
- Spotify Connect
- Tidal Connect
- Qplay
- DLNA
- Deezer (genom Bang & Olufsen-appen)
- B&O Radio (genom Bang & Olufsen-appen)

Med wifi kan du njuta av bästa möjliga ljudkvalitet utan avbrott – även om du får ett samtal eller om enheten kopplas från. Du kan också ansluta flera högtalare för att skapa en Multiroom-upplevelse (se Multiroom för mer information).

Du kan också streama via Bluetooth. Se Bluetooth för mer information.

## DAGLIG ANVÄNDNING



Använd knapparna på ovensidan av Beosound A5 för att snabbt komma åt viktiga funktioner:

Symbol	Funktion
⏻	Tryck för att sätta på högtalaren. Håll nedtryckt i två sekunder för att stänga av den.
⌘	Håll nedtryckt i två sekunder för att parkoppla med Bluetooth-enheter. Se Bluetooth för mer information.
-+	Tryck för att höja eller sänka volymen.
▶	Tryck för att spela upp eller pausa innehåll. Håll nedtryckt i två sekunder för att gå med i en Beolink Multiroom-upplevelse. Se Multiroom för mer information.
<>	Tryck för att hoppa över låtar eller stationer.
○ ○ ○ ○ ○ ○ ○ ○	Med de fyra favoritknapparna kan du komma åt radiostationer eller spellistor med bara en knapptryckning. Se Favoriter för mer information.

Andra funktioner i panelen på ovensidan av Beosound A5:

A	Indikatorlampa som visar produktstatus. Se Statuslampa för mer information.
B	Qi-laddare. Se Qi-laddning för mer information.
C	Inbyggda mikrofoner (3).

## **Bluetooth**

En nätverksanslutning krävs för att använda alla funktioner på Beosound A5, men du kan lyssna var som helst med Bluetooth.

För att parkoppla en ny enhet håller du Bluetooth-knappen nedtryckt i två sekunder. När lampan pulserar blått går du till Bluetooth-inställningarna på din enhet och väljer Beosound A5.

För att ansluta till den senast använda Bluetooth-enheten trycker du snabbt på Bluetooth-knappen.

## **Favoriter**

Få omedelbar tillgång till ditt favoritinnehåll med de fyra favoritknapparna. Du kan börja lyssna direkt med bara en knapptryckning.

Knapparna är förprogrammerade med de mest populära radiostationerna i ditt område, och kan enkelt ställas om till vad du vill: andra stationer via B&O Radio eller spellistor via Spotify Connect och Deezer.

Om du vill spara en favorit börjar du spela upp antingen radio eller en spellista på din enhet. Håll sedan den valda favoritknappen nedtryckt i två sekunder. Du hör en ljudsignal som bekräftar att ditt val har sparats.

När du har sparat din favorit kan börja spela upp ditt favoritinnehåll direkt genom att trycka snabbt på favoritknappen.

## MULTIROOM



Bjud in hela huset till allsång. Beosound A5 kan anslutas till andra högtalare i ett Multiroom-system, där flera högtalare i hemmet spelar upp samma innehåll samtidigt. Du kan njuta av Multiroom på flera olika sätt:

### **BeoLink Multiroom**

Beolink är Bang & Olufsens eget Multiroom-system. Systemet kan sprida allt som spelas på din Beosound A5 till andra Bang & Olufsen-högtalare och tv-apparater i samma nätverk.

Om du vill använda Beolink Multiroom börjar du spela upp på en högtalare och håller sedan [▷|◁] nedtryckt i två sekunder på en annan högtalare för att ansluta den - allt utan en smartphone. Du kan också använda Bang & Olufsen-appen för att se vilka produkter som spelar, och lägga till fler av dem till den pågående upplevelsen utan att behöva gå fram till dem.

Obs! Om du vill använda Beolink Multiroom och AirPlay tillsammans öppnar du Bang & Olufsen-appen och går till Produktinställningar -> Beolink Multiroom -> Aktivera AirPlay.

Obs! Beolink Multiroom kan inte användas tillsammans med inbyggd Chromecast.

## **Apple AirPlay**

Om du vill skapa en Multiroom-upplevelse med AirPlay väljer du flera högtalare i menyn för ljudutgång på din Apple-enhet. Beosound A5 kan också spela tillsammans med högtalare av andra märken som stöder AirPlay 2.

## **Chromecast built-in**

När du castar innehåll till dina högtalare via Chromecast kan du använda appen Google Home på din smartphone för att gruppera högtalarna så att de spelar tillsammans. I appen väljer du Media och sedan de högtalare som du vill lägga till i upplevelsen.



# ANPASSA LJUDET

Justera ljudet och få ut det mesta av din Beosound A5 i Bang & Olufsen-appen.

## Ljudlägen

Med ljudlägen kan du anpassa ljudet efter smak och tillfälle. Välj mellan de ljudlägen som ingår, eller skapa dina egna med Beosonic.

Anpassade ljudlägen kan sparas till senare från Beosonic och aktiveras med en knapptryckning. När du sparar ett ljudläge sparas inställningarna för både Beosonic och riktverkan.

Om du vill ordna om eller ta bort ljudlägen trycker du på [☰] bredvid knapparna för ljudlägen.



### Beosonic

Tryck på [☉] för att skräddarsy ljudet med Beosonic. Flytta punkten för att hitta det övergripande ljud som du föredrar. Ändra omslutningsnivån genom att nypa och dra inåt eller utåt med två fingrar.



### Riktverkan

Du kan välja mellan två olika lägen för riktverkan beroende på situationen:

Främre riktar ljudet mot lyssnarna framför högtalaren. Det passar perfekt när högtalaren står mot en vägg.

Omni skapar ett jämnt ljudfält runt högtalaren – perfekt i parken eller på en picknick, när lyssnarna är utspridda runt omkring.

## RoomSense

Med Beosound A5 kan du använda RoomSense, Bang & Olufsens egenutvecklade rumskompenisering. Då optimeras ljudet enligt högtalarens placering i rummet.

Aktivera RoomSense i Bang & Olufsen-appen under Ljudinställningar. Mikrofonerna på Beosound A5 måste vara påslagna medan RoomSense utförs.

## STEREOPARKOPPLING



För att få en heltäckande och flexibel stereoupplevelse kan du koppla ihop två Beosound A5. Stereoparkoppling är tillgängligt om båda högtalarna har konfigurerats i Bang & Olufsen-appen med samma konto och är anslutna till samma nätverk.

### **Stereoparkoppla med Bang & Olufsen-appen**

I appen väljer du din högtalare och sedan Ljudinställningar -> Skapa stereopar. Välj sedan den andra högtalaren för ditt stereopar.

### **Separera ett par**

Om du vill separera ett par och använda högtalarna en och en kan du hålla knapparna [ $<$   $>$ ] nedtryckta samtidigt i två sekunder på någon av högtalarna, eller gå till Ljudinställningar i Bang & Olufsen-appen.

## BATTERITID OCH -LADDNING



Med det inbyggda batteriet kan Beosound A5 spela i över 12 timmar vid normal volym och upp till 4 timmar vid maximal volym.

När Beosound A5 inte är ansluten till en strömkälla visar lampan bredvid laddningsporten kort den återstående batteritiden när du sätter på högtalaren:

Färg	Mönster	Betydelse
Grön	Fast ljus	Mer än 40 % av batteritiden återstår.
Gult	Fast ljus	Mindre än 40 % av batteritiden återstår.
Rött	Fast ljus	Mindre än 10 % av batteritiden återstår.
	Blinkande	Mindre än 1 % av batteritiden återstår. Högtalaren stängs av om den inte är ansluten till en strömkälla.

Vid 10 % och 1 % hör du också en ljudsignal.

Ladda Beosound A5 med den medföljande USB-C-nätadaptern. Anslut nätadaptern till laddningsporten på baksidan av högtalaren. Lampan bredvid laddningsporten visar laddningsstatus:

Färg	Mönster	Betydelse
Gult	Pulserar långsamt	Laddas.
Grön	Fast ljus	Fulladdad. Ljuset släcks efter fem minuter.

## **Viloläge och förvaring**

Med ett fulladdat batteri kan Beosound A5 vara i viloläge i upp till 10 dagar innan den behöver laddas igen. Under den tiden kan du väcka den omedelbart genom att trycka på strömknappen.

Om du inte ska använda din Beosound A5 under en längre tid kan du aktivera förvaringsläget för att spara på batteriet. När högtalaren är påslagen trycker du på strömknappen och håller den nedtryckt i åtta sekunder. Du hör ett nytt ljud som bekräftar förvaringsläget.

Obs! För att sätta på högtalaren igen från förvaringsläget måste du ansluta den till en strömkälla med en kabel.

## QI-LADDNING



Du kan ladda smartphones och andra Qi-kompatibla enheter ovanpå din Beosound A5. Placera enheten i eller på den prickade cirkeln för att börja ladda.

Indikatorlampan visar enhetens laddningsstatus:

Färg	Mönster	Betydelse
Gult	Pulserar långsamt	Laddas.
Grön	Fast ljus	Fulladdad.
Rött	Blinkande	Fel, t.ex. främmande föremål som har upptäckts på plattan. Ta bort enheten och eventuella hinder och försök sedan igen.

Obs! Om du laddar andra enheter medan Beosound A5 inte är kopplad till en strömkälla förkortas batteriets speltid. Du kan stänga av Qi-laddningsfunktionen i Bang & Olufsen-appen.

## STATUSLAMPA



Indikatorlampan sitter längst upp på Beosound A5, bredvid strömknappen, och visar högtalarens status:

Färg	Mönster	Betydelse
Vit	Fast ljus	Högtalaren är på och ansluten till ett nätverk och/eller en Bluetooth-enhet.
	Pulserar långsamt	Pausad, tryck på Spela upp för att återuppta uppspelningen.
	Blinkande	Startar.
Blått	Fast ljus	Bluetooth-enheten är ansluten.
	Pulserar	Öppen för Bluetooth-parkoppling.
Gult	Fast ljus	Inte ansluten till nätverket eller Bluetooth.
	Blinkande	Redo att ansluta till wifi.
	Pulserar långsamt	Enheten på Qi-laddaren laddas.
Grön	Fast ljus	Enheten på Qi-laddaren är fulladdad.
	Pulserar långsamt	Programvaran uppdateras - vänta tills lampan lyser med ett fast vitt sken igen.
Rött	Blinkande	Tillfälligt fel (t.ex. överhettning eller Qi-laddningsfel).
	Fast ljus	Statiskt fel - kontakta supporten för hjälp. Du kan också nå supporten via Bang & Olufsen-appen.

## MIKROFON

Beosound A5 har inbyggda mikrofoner som används av RoomSense för att optimera ljudet från högtalaren enligt dess placering.

Om du vill koppla från mikrofonerna för du skjutreglaget [🔇] bredvid laddningsporten hela vägen åt vänster (reglaget visar gult). Det går inte att använda RoomSense när mikrofonerna är frånkopplade.

## ÅTERSTÄLLA BEOSOUND A5

### **Wifi-inställningsläge**

Om du vill koppla bort Beosound A5 från det nuvarande wifi-nätverket och ansluta den till ett nytt nätverk håller du knapparna [**<**] [**>**] nedtryckta samtidigt i två sekunder. Indikatorlampan börjar blinka gult, och högtalaren är redo att anslutas genom Bang & Olufsen-appen.

Om du vill avbryta wifi-inställningen och ansluta till det tidigare nätverket igen håller du knapparna nedtryckta igen.

Obs! Om du håller knapparna nedtryckta medan din Beosound A5 är stereoparkopplad gör det istället att paret separeras. När stereoparet har separerats håller du knapparna nedtryckta igen för att gå in i wifi-inställningsläget.

### **Maskinvaruåterställning**

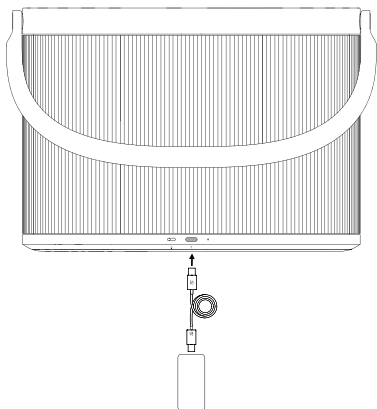
Om din Beosound A5 slutar att svara håller du strömknappen [**⏻**] nedtryckt i 20 sekunder för att återställa maskinvaran och starta om produkten. Det här är inte samma sak som en fabriksåterställning – dina inställningar raderas inte.

### **Återställ fabriksinställningarna.**

Om du vill radera alla inställningar och återställa fabriksinställningarna för Beosound A5 håller du knapparna [**<**] [**>**] nedtryckta samtidigt i 8 sekunder. När högtalaren har startats om och indikatorlampan blinkar gult är den redo att installeras igen genom Bang & Olufsen-appen.



## ERSTE SCHRITTE

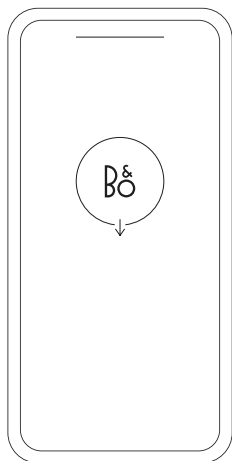


Nehmen Sie Ihren neuen Beosound A5 aus der Verpackung und stecken Sie das Kabel ein.

Der Akku ist bereits geladen, aber der Lautsprecher befindet sich im Speichermodus, um ihn zu schonen. Wenn Sie das Kabel einstecken, wird der Beosound A5 aktiviert und kann eingerichtet werden.

Beginnen Sie sofort mit dem Hören und laden Sie die App von Bang & Olufsen herunter, um alle Funktionen zu erkunden.

## LADEN SIE DIE BANG & OLUFSEN-APP HERUNTER



Laden Sie die App von Bang & Olufsen herunter und holen Sie sich das komplette Erlebnis.

Richten Sie Ihren neuen Beosound A5 nach Ihren persönlichen Vorlieben ein. Aktualisieren Sie auf die neuesten Funktionen, finden Sie mit der präzisen Lautstärkeregelung den perfekten Pegel, und nutzen Sie die Beosonic Audiomodi, um den Klang exakt an Ihren Geschmack anzupassen.

Außerdem können Sie umfassende Funktionen wie die Beta-Tester-Community ausprobieren und Remote-Support erhalten, wenn Sie Hilfe benötigen.

## **Mit WLAN verbinden**

Der einfachste Weg, Ihren Beosound A5 mit einem WLAN zu verbinden, ist über die App von Bang & Olufsen. Laden Sie einfach die App herunter und befolgen Sie die Anweisungen auf dem Bildschirm. So können Sie die Einrichtung in wenigen Minuten abschließen.

Wenn Sie die App nicht verwenden möchten, können Sie sich trotzdem über die WLAN-Einstellungen auf Ihrem Gerät (wenn Sie ein iPhone oder einen iPad verwenden) oder über die App Google Home verbinden.

## **Wiedergabe Ihrer Inhalte**

Starten Sie die Wiedergabe von der Quelle Ihrer Wahl und wählen Sie den Beosound A5 als Lautsprecher aus, über den Sie hören möchten. Die folgenden Streaming-Funktionen sind verfügbar, wenn Sie mit WLAN verbunden sind:

- AirPlay 2
- Chromecast built-in
- Spotify Connect
- Tidal Connect
- QPlay
- DLNA
- Deezer (über die App von Bang & Olufsen)
- B&O Radio (über die App von Bang & Olufsen)

Über WLAN können Sie höchste Klangqualität ohne Unterbrechungen genießen – selbst wenn Sie einen Anruf erhalten oder die Verbindung zu Ihrem Gerät unterbrochen wird. Sie können auch mehrere Lautsprecher zu einem Multiroom-Erlebnis verbinden (weitere Informationen dazu finden Sie unter „Multiroom“).

Außerdem können Sie per Bluetooth streamen. Weitere Informationen dazu finden Sie unter „Bluetooth“.

## TÄGLICHER GEBRAUCH



Verwenden Sie die Tasten oben auf dem Beosound A5, um schnell auf wichtige Funktionen zuzugreifen:

Symbol	Funktion
⏻	Drücken Sie die Taste, um den Lautsprecher einzuschalten. Halten Sie die Taste zwei Sekunden lang gedrückt, um ihn auszuschalten.
⌘	Halten Sie die Taste zwei Sekunden lang gedrückt, um eine Verbindung zu Bluetooth-Geräten herzustellen. Weitere Informationen dazu finden Sie unter „Bluetooth“.
-+	Drücken Sie die entsprechende Taste, um die Lautstärke zu erhöhen oder zu verringern.
▷	Drücken Sie die Taste, um Inhalte abzuspielen oder anzuhalten. Halten Sie die Taste zwei Sekunden lang gedrückt, um an einem Beolink Multiroom-Erlebnis teilzunehmen. Weitere Informationen dazu finden Sie unter „Multiroom“.
<>	Drücken Sie die Taste, um Lieder oder Sender zu überspringen.
○ ○ ○ ○ ○ ○ ○ ○ ○ ○	Vier Favoriten-Tasten bieten One-Touch-Zugriff auf Radiosender oder Wiedergabelisten. Weitere Informationen dazu finden Sie unter „Favoriten“.

Weitere Funktionen auf der Oberseite des Beosound A5:

A	Kontrollleuchte, die den Produktstatus anzeigt. Weitere Informationen dazu finden Sie unter „Statusanzeige“.
B	Qi-Ladegerät. Weitere Informationen dazu finden Sie unter „Qi-Aufladung“.
C	Eingebaute Mikrofone (3).

## **Bluetooth**

Um den vollen Funktionsumfang des Beosound A5 nutzen zu können, ist eine Netzwerkverbindung erforderlich, aber mit Bluetooth können Sie überall hören.

Um eine Verbindung zu einem neuen Gerät herzustellen, halten Sie die Bluetooth-Taste zwei Sekunden lang gedrückt. Wenn die LED blau blinkt, öffnen Sie die Bluetooth-Einstellungen auf Ihrem Gerät und wählen Sie den Beosound A5 aus.

Um eine Verbindung zum zuletzt verwendeten Bluetooth-Gerät herzustellen, drücken Sie kurz die Bluetooth-Taste.

## **Favoriten**

Nutzen Sie die vier Favoriten-Tasten für sofortigen Zugriff auf Ihre Lieblingsinhalte. Durch einmaliges Drücken können Sie sofort anfangen zu hören.

Die Tasten sind mit den beliebtesten Radiosendern in Ihrer Region vorbelegt und können ganz einfach nach Ihren Wünschen konfiguriert werden: Ergänzen Sie andere Sender über B&O Radio oder Wiedergabelisten über Spotify Connect und Deezer.

Um einen Favoriten zu speichern, starten Sie die Wiedergabe von Radio oder einer Wiedergabeliste auf Ihrem Gerät. Halten Sie dann die gewählte Favoriten-Taste zwei Sekunden lang gedrückt. Ein Ton wird abgespielt, um zu bestätigen, dass Ihre Auswahl gespeichert wurde.

Einmal gespeichert, reicht ein kurzer Druck auf die Favoriten-Taste, um Ihre Lieblingsinhalte sofort abzuspielen.

## MULTIROOM



Bringen Sie mit Musik das ganze Haus zusammen. Der Beosound A5 kann mit anderen Lautsprechern in einem Multiroom-System verbunden werden, sodass mehrere Lautsprecher in Ihrem Zuhause dieselben Inhalte gleichzeitig abspielen können. Sie können Multiroom auf verschiedene Arten nutzen:

### **BeoLink Multiroom**

Beolink ist das eigene Multiroom-System von Bang & Olufsen. Es kann alles, was auf Ihrem Beosound A5 abgespielt wird, an andere Lautsprecher und Fernsehgeräte von Bang & Olufsen im selben Netzwerk weitergeben.

Um Beolink Multiroom zu verwenden, starten Sie die Wiedergabe auf einem Lautsprecher und halten Sie dann [▶||] auf einem anderen Lautsprecher zwei Sekunden lang gedrückt, um eine Verbindung herzustellen – ganz ohne Smartphone. Sie können auch die App von Bang & Olufsen verwenden, um zu sehen, welche Produkte gerade Klang wiedergeben, und um das laufende Erlebnis vom Handy aus zu erweitern.

Hinweis: Um Beolink Multiroom und AirPlay gemeinsam zu nutzen, öffnen Sie zunächst die App von Bang & Olufsen und gehen Sie zu Produkteinstellungen -> Beolink Multiroom -> AirPlay aktivieren.

Hinweis: Beolink Multiroom kann nicht zusammen mit der integrierten Chromecast-Technologie verwendet werden.

## **Apple AirPlay**

Um ein Multiroom-Erlebnis mit AirPlay zu gestalten, wählen Sie mehrere Lautsprecher aus dem Tonausgabemenü auf Ihrem Apple-Gerät aus. Der Beosound A5 kann auch gemeinsam mit Lautsprechern von anderen Marken verwendet werden, die AirPlay 2 unterstützen.

## **Chromecast built-in**

Wenn Sie Inhalte über Chromecast auf Ihre Lautsprecher streamen, können Sie die App Google Home auf Ihrem Smartphone verwenden, um Lautsprecher für die gemeinsame Wiedergabe zu gruppieren. Wählen Sie in der App „Medien“ und wählen Sie dann die Lautsprecher aus, die Sie dem Erlebnis hinzufügen möchten.

## PERSONALISIEREN SIE IHR AUDIO

Nutzen Sie die App von Bang & Olufsen, um den Klang anzupassen und das Beste aus Ihrem Beosound A5 herauszuholen.

### Audiomodi

Mit Audiomodi können Sie den Klang ganz nach Geschmack und Anlass verwalten. Wählen Sie zwischen den voreingestellten Audiomodi oder erstellen Sie mit Beosonic Ihre eigenen.

Benutzerdefinierte Audiomodi können von Beosonic für später gespeichert und mit einer Berührung aktiviert werden. Wenn Sie einen Audiomodus speichern, merkt er sich die Einstellungen sowohl für Beosonic als auch für die Tonrichtung.

Um die Audiomodi neu anzuordnen oder zu löschen, drücken Sie [≡] neben den Audiomodi-Tasten.



### Beosonic

Drücken Sie [⊙], um den Klang mit Beosonic anzupassen. Bewegen Sie den Punkt, um Ihren bevorzugten Gesamtklang zu finden. Bewegen Sie zwei Finger über das Display, um die Immersivität zu ändern.

### Klangausrichtung

Wählen Sie je nach Situation zwischen zwei verschiedenen Ausrichtungsmodi:

Front leitet den Klang an die Zuhörer vor dem Lautsprecher. Dieser Modus ist ideal, wenn der Lautsprecher an einer Wand steht.

Omni erzeugt ein gleichmäßiges Klangfeld um den Lautsprecher und eignet sich perfekt für den Park oder ein Picknick mit vielen Zuhörern.



### RoomSense

Mit dem Beosound A5 können Sie RoomSense, die eigene Raumkompensation von Bang & Olufsen, verwenden. Sie optimiert den Klang entsprechend der Platzierung des Lautsprechers im Raum.

Aktivieren Sie RoomSense unter „Audioeinstellungen“ in der App von Bang & Olufsen. Die Mikrofone des Beosound A5 müssen eingeschaltet werden, während RoomSense ausgeführt wird.



## STEREO-PAIRING



Verbinden Sie zwei Beosound A5 als Paar für ein vollständiges und flexibles Stereo-Erlebnis. Das Stereo-Pairing ist verfügbar, wenn beide Lautsprecher in der App von Bang & Olufsen mit demselben Konto eingerichtet und mit demselben Netzwerk verbunden sind.

### **Stereo-Paar mit der App von Bang & Olufsen**

Wählen Sie in der App Ihren Lautsprecher und gehen Sie auf Audioeinstellungen > Stereo-Paar erstellen. Wählen Sie dann den anderen Lautsprecher für Ihr Stereo-Paar aus.

### **Ein Paar trennen**

Um ein Paar zu trennen und die Lautsprecher einzeln zu verwenden, halten Sie entweder an einem Lautsprecher die Tasten [<>] zwei Sekunden lang gleichzeitig gedrückt oder gehen Sie in der App von Bang & Olufsen zu den Audioeinstellungen.

## AKKULAUFZEIT UND AUFLADUNG



Mit dem eingebauten Akku kann der Beosound A5 bei normaler Hörlautstärke mehr als 12 Stunden und bei maximaler Lautstärke bis zu 4 Stunden Musik abspielen.

Wenn der Beosound A5 nicht an das Stromnetz angeschlossen ist, zeigt die LED neben dem Ladeanschluss beim Einschalten kurz die verbleibende Akkulaufzeit an:

Farbe	Muster	Bedeutung
Grün	Leuchtet dauerhaft	Mehr als 40 % verbleibende Akkulaufzeit.
Gelb	Leuchtet dauerhaft	Weniger als 40 % verbleibende Akkulaufzeit.
Rot	Leuchtet dauerhaft	Weniger als 10 % verbleibende Akkulaufzeit.
	Blinkt	Weniger als 1 % verbleibende Akkulaufzeit. Der Lautsprecher schaltet sich aus, wenn er nicht an das Stromnetz angeschlossen wird.

Bei 10 % und 1 % hören Sie zusätzlich einen Benachrichtigungston.

Laden Sie den Beosound A5 mit dem mitgelieferten USB-C-Netzteil auf. Schließen Sie das Netzteil an den Ladeanschluss auf der Rückseite des Lautsprechers an. Die Leuchte neben dem Ladeanschluss zeigt den Ladestatus an:

Farbe	Muster	Bedeutung
Gelb	Blinkt langsam	Wird geladen.
Grün	Leuchtet dauerhaft	Vollständig geladen. Die Leuchte schaltet sich nach fünf Minuten aus.

## Ruhe- und Speichermodus

Mit einem vollständig aufgeladenen Akku kann der Beosound A5 bis zu 10 Tage im Ruhemodus bleiben, bevor er erneut aufgeladen werden muss. Während dieser Zeit wird er beim Drücken der Ein/Aus-Taste sofort aktiviert.

Wenn Sie Ihren Beosound A5 über längere Zeit nicht verwenden möchten, können Sie den Speichermodus aktivieren, um den Akku zu schonen. Wenn der Lautsprecher eingeschaltet ist, halten Sie die Ein/Aus-Taste acht Sekunden lang gedrückt. Sie hören einen weiteren Ton, der die Aktivierung des Speichermodus bestätigt.

Hinweis: Um den Speichermodus wieder zu deaktivieren, müssen Sie den Lautsprecher über ein Kabel ans Stromnetz anschließen.

## QI-AUFLADUNG



Sie können Smartphones und andere Qi-kompatible Geräte über Ihren Beosound A5 aufladen. Platzieren Sie Ihr Gerät in oder auf dem gepunkteten Kreis, um mit dem Aufladen zu beginnen.

Die Kontrollleuchte zeigt den Ladestatus des Geräts an:

Farbe	Muster	Bedeutung
Gelb	Blinkt langsam	Wird geladen.
Grün	Leuchtet dauerhaft	Vollständig geladen.
Rot	Blinkt	Fehler, z. B. Fremdkörper auf dem Pad erkannt. Entfernen Sie das Gerät und mögliche Hindernisse und versuchen Sie es erneut.

Hinweis: Wenn Sie andere Geräte aufladen, während der Beosound A5 nicht ans Stromnetz angeschlossen ist, verkürzt sich die Akkulaufzeit. Sie können die Qi-Ladefunktion in der App von Bang & Olufsen deaktivieren.

## STATUSANZEIGELEUCHTE



Die Kontrollleuchte befindet sich oben am Beosound A5 neben dem Netzschalter und zeigt den Status des Lautsprechers an:

Farbe	Muster	Bedeutung
White	Leuchtet dauerhaft	Der Lautsprecher ist eingeschaltet und mit einem Netzwerk und/oder einem Bluetooth-Gerät verbunden.
	Blinkt langsam	Pausiert, „Play“ drücken, um die Wiedergabe fortzusetzen.
	Blinkt	Startet.
Blau	Leuchtet dauerhaft	Bluetooth-Gerät erfolgreich verbunden.
	Pulsierend	Die Herstellung einer Bluetooth-Verbindung ist möglich.
Gelb	Leuchtet dauerhaft	Keine Verbindung zum Netzwerk oder Bluetooth.
	Blinkt	Bereit für die Verbindung mit WLAN.
	Blinkt langsam	Ein Gerät wird über das Qi-Ladegerät aufgeladen.
Grün	Leuchtet dauerhaft	Das Gerät auf dem Qi-Ladegerät ist vollständig aufgeladen.
	Blinkt langsam	Software-Aktualisierung - Warten Sie, bis die Leuchte wieder dauerhaft weiß leuchtet.
Rot	Blinkt	Vorübergehender Fehler (z. B. Überhitzung oder Qi-Ladefehler).
	Leuchtet dauerhaft	Dauerhafter Fehler - Wenden Sie sich an den Support, um Unterstützung zu erhalten. Sie können den Support auch über die App von Bang & Olufsen erreichen.

## MIKROFON

Der Beosound A5 verfügt über integrierte Mikrofone, die von RoomSense zur Optimierung des Klangs des Lautsprechers in Bezug auf seine Platzierung verwendet werden.

Wenn Sie die Mikrofone ausschalten möchten, bewegen Sie den Schieberegler [🔊] neben dem Ladeanschluss in die Position ganz links (der Schalter leuchtet orange). RoomSense kann nicht eingerichtet werden, wenn die Mikrofone ausgeschaltet sind.

# BEOSOUND A5 ZURÜCKSETZEN

## **WLAN-Einrichtungsmodus**

Um den Beosound A5 vom aktuellen WLAN-Netzwerk zu trennen und ihn mit einem neuen zu verbinden, halten Sie die Tasten [ < > ] zwei Sekunden lang gleichzeitig gedrückt. Die Kontrollleuchte beginnt orange zu blinken und der Lautsprecher ist bereit, über die App von Bang & Olufsen verbunden zu werden.

Um die WLAN-Einrichtung abzubrechen und sich wieder mit dem vorherigen Netzwerk zu verbinden, halten Sie die Tasten erneut gedrückt.

Hinweis: Wenn Ihr Beosound A5 derzeit mit einem anderen Lautsprecher zu einem Stereo-Paar gekoppelt ist, wird dieses Paar durch das Drücken und Halten der Tasten getrennt. Sobald das Stereo-Paar getrennt ist, halten Sie die Tasten erneut gedrückt, um den WLAN-Einrichtungsmodus zu öffnen.

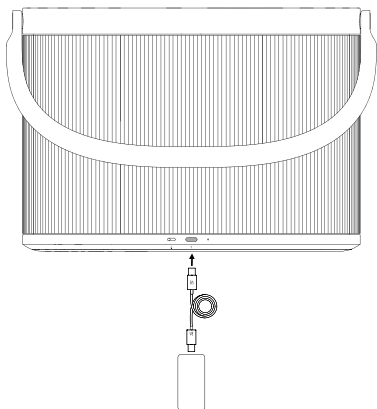
## **Zurücksetzen der Hardware**

Wenn Ihr Beosound A5 nicht mehr reagiert, halten Sie die Ein/Aus-Taste [ ⏻ ] 20 Sekunden lang gedrückt, um die Hardware zurückzusetzen und das Produkt neu zu starten. Dies ist kein Zurücksetzen auf die Werkseinstellungen - Ihre Einstellungen werden nicht gelöscht.

## **Werkseinstellungen wiederherstellen**

Um alle Einstellungen zu löschen und den Beosound A5 auf die Werkseinstellungen zurückzusetzen, halten Sie die Tasten [ < > ] 8 Sekunden lang gleichzeitig gedrückt. Sobald der Lautsprecher neu gestartet wurde und die Kontrollleuchte orange blinkt, kann er über die App von Bang & Olufsen wieder neu eingerichtet werden.

## AAN DE SLAG



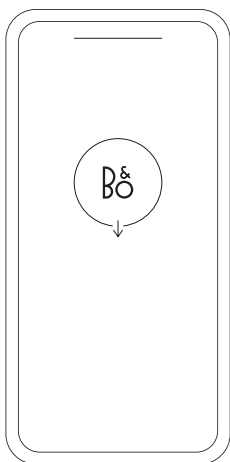
Haal uw nieuwe Beosound A5 uit de doos en sluit de kabel aan.

De batterij is al opgeladen, om deze te sparen staat de luidspreker in de opslagmodus. Wanneer u de kabel aansluit, haalt u de Beosound A5 uit de slaapstand en is de luidspreker klaar voor installatie.

Begin direct met luisteren en download de Bang & Olufsen-app om alle kenmerken en functies te ontdekken.



## DOWNLOAD DE BANG & OLUFSEN-APP



Download de Bang & Olufsen-app voor de complete ervaring.

Configureer uw nieuwe Beosound A5 en maak hem helemaal eigen. Update naar de nieuwste functies, vind het perfecte geluidsniveau met de uiterst nauwkeurige volumeregeling en stem het geluid af op uw smaak met Beosonic Sound Modes.

U kunt zich ook verdiepen in functies zoals de bètatestcommunity en als u hulp nodig heeft, is er ondersteuning op afstand.

## **Verbinding maken met wifi**

De eenvoudigste manier om uw Beosound A5 met wifi te verbinden, is via de Bang & Olufsen-app. Download de app en volg de instructies op het scherm. U bent binnen enkele minuten klaar.

Als u de app niet wilt gebruiken, kunt u ook verbinding maken via de wifi-instellingen op uw apparaat (als u een iPhone of iPad gebruikt) of via de Google Home-app.

## **Uw content afspelen**

Begin met afspelen vanaf de bron van uw keuze en selecteer de Beosound A5 als te gebruiken luidspreker. De volgende streamingfuncties zijn beschikbaar als uw luidspreker verbonden is met wifi:

- AirPlay 2
- Chromecast built-in
- Spotify Connect
- Tidal Connect
- QPlay
- DLNA
- Deezer (via de Bang & Olufsen-app)
- B&O Radio (via de Bang & Olufsen-app)

Via wifi kunt u zonder onderbrekingen genieten van de hoogste geluidskwaliteit, zelfs als u wordt gebeld of de verbinding met uw apparaat wordt verbroken. U kunt ook verschillende luidsprekers aansluiten voor een Multiroom-ervaring (zie 'Multiroom' voor meer informatie).

U kunt ook streamen via bluetooth. Zie 'Bluetooth' voor meer informatie.

## DAGELIJKS GEBRUIK



Gebruik de knoppen aan de bovenkant van de Beosound A5 om snel toegang te krijgen tot de belangrijkste functies:

Symbol	Functie
⏻	Druk hierop om de luidspreker aan te zetten. Houd twee seconden ingedrukt om het apparaat uit te zetten.
⌘	Houd twee seconden ingedrukt om te koppelen met bluetoothapparaten. Zie 'Bluetooth' voor meer informatie.
-+	Druk hierop om het volume harder of zachter te zetten.
▶	Druk hierop om content af te spelen of te pauzeren. Houd twee seconden ingedrukt voor een Beolink Multiroom-ervaring. Zie 'Multiroom' voor meer informatie.
<>	Druk hierop om nummers of zenders over te slaan.
○, ○○, ○○○, ○○○○	Vier voorkeursknoppen bieden met één druk op de knop toegang tot radiozenders of afspeellijsten. Zie 'Favorieten' voor meer informatie.

Andere functies op het bovenpaneel van de Beosound A5 bovenpaneel:

A	Het indicatielampje dat de productstatus weergeeft. Zie 'Statuslampje' voor meer informatie.
B	Qi-lader. Zie 'Qi-laden' voor meer informatie.
C	Geïntegreerde microfoons (3).

## **Bluetooth**

Een netwerkverbinding is vereist om alle functies van de Beosound A5 te kunnen gebruiken, maar u kunt overall luisteren met bluetooth.

Als u een nieuw apparaat wilt koppelen, houdt u de bluetoothknop twee seconden ingedrukt. Wanneer het lampje blauw begint te knipperen, gaat u naar de bluetoothinstellingen op uw apparaat en selecteert u de Beosound A5.

Druk kort op de bluetoothknop om verbinding te maken met het laatst gebruikte bluetoothapparaat.

## **Favorieten**

Krijg direct toegang tot uw favoriete content met de vier voorkeursknoppen. Met één druk op de knop begint u met luisteren.

De knoppen zijn vooraf gekoppeld aan de populairste radiostations in uw omgeving en kunnen eenvoudig worden geconfigureerd voor wat u maar wilt: andere stations via B & O Radio of afspeellijsten via Spotify Connect en Deezer.

Begin met het afspelen van een radio of afspeellijst op uw apparaat om een favoriet op te slaan. Houd vervolgens de geselecteerde voorkeursknop twee seconden ingedrukt. Er wordt een geluid afgespeeld om te bevestigen dat uw keuze is opgeslagen.

Eenmaal opgeslagen, zal een korte druk op de voorkeursknop ervoor zorgen dat uw favoriete content direct begint te spelen.

## MULTIROOM



Maak van het hele huis een muzikale plek. De Beosound A5 kan verbinding maken met andere luidsprekers via een Multiroom-systeem en zo meerdere luidsprekers in uw huis tegelijkertijd dezelfde content laten afspelen. U kunt op verschillende manieren gebruikmaken van Multiroom:

### **BeoLink Multiroom**

Beolink is het eigen Multiroom-systeem van Bang & Olufsen. Het systeem kan alles wat op uw Beosound A5 wordt afgespeeld, distribueren naar andere Bang & Olufsen-luidsprekers en televisies in hetzelfde netwerk.

Als u Beolink Multiroom wilt gebruiken, begint u met afspelen op één luidspreker en houdt u vervolgens [**▶|**] (twee seconden) ingedrukt op een andere luidspreker om deze toe te voegen. En dit alles zonder smartphone. U kunt ook de Bang & Olufsen-app gebruiken om te zien welke apparaten toegevoegd zijn en andere toevoegen aan de lopende ervaring zonder ernaartoe te hoeven lopen.

Opmerking: Om Beolink Multiroom en AirPlay samen te gebruiken, opent u eerst de Bang & Olufsen-app en gaat u naar productinstellingen -> Beolink Multiroom -> AirPlay inschakelen.

Opmerking: Beolink Multiroom kan niet worden gebruikt in combinatie met Chromecast built-in.

## **Apple AirPlay**

Om een Multiroom-ervaring te creëren met AirPlay, selecteert u meerdere luidsprekers in het geluidsuitvoermenu op uw Apple-apparaat. De BeoSound A5 kan ook worden gecombineerd met luidsprekers van andere merken die AirPlay 2 ondersteunen.

## **Chromecast built-in**

Als u via Chromecast content naar uw luidsprekers streamt, kunt u de Google Home-app op uw smartphone gebruiken om luidsprekers te groeperen zodat ze gezamenlijk afspelen. Selecteer Media in de app en kies de luidsprekers die u aan de ervaring wilt toevoegen.

## UW GELUID PERSONALISEREN

Pas het geluid aan in de Bang & Olufsen-app en haal het beste uit uw Beosound A5.

### Geluidsmodi

Met de geluidsmodi kunt u het geluid aanpassen aan uw smaak en de gelegenheid. Kies uit de standaard geluidsmodi of maak uw eigen geluidsmodus met Beosonic.

Aangepaste geluidsmodi kunnen vanuit Beosonic worden opgeslagen voor later en met één aanraking worden geactiveerd. Wanneer u een geluidsmodus opslaat, onthoudt deze zowel de Beosonic- als de geluidsinstellingen.

Druk naast de knoppen voor de geluidsmodus op [☰] om de volgorde te wijzigen of een geluidsmodus te wissen.



### Beosonic

Druk op [☉] om het geluid aan te passen met Beosonic. Verplaats de stip om uw voorkeursgeluid te vinden. Spreid of knijp met twee vingers om de immersiviteit aan te passen.

### De richting van het geluid

Kies, afhankelijk van de situatie, uit twee verschillende richtingsmodi:

Front stuurt het geluid naar de luisteraars vóór de luidspreker. Dit is ideaal wanneer de luidspreker tegen een muur geplaatst is.

Omni creëert een gelijkmatig geluidsveld rond de luidspreker, perfect voor het park of een picknick waar de luisteraars zich op verschillende plekken bevinden.



### RoomSense

Met de Beosound A5 kunt u RoomSense gebruiken, dit is het systeem van Bang & Olufsen dat zorgt voor aanpassing aan de ruimte. Het zorgt voor optimaal geluid op basis van waar de luidspreker zich in de ruimte bevindt.

Activeer RoomSense in de Bang & Olufsen-app onder geluidsinstellingen. De microfoons in de Beosound A5 moeten worden ingeschakeld terwijl RoomSense wordt uitgevoerd.

## STEREO PAIRING



Koppel twee Beosound A5-luidsprekers voor een volledige en flexibele stereo-ervaring. Stereo pairing is beschikbaar als beide luidsprekers met hetzelfde account in de Bang & Olufsen-app zijn ingesteld en verbonden zijn met hetzelfde netwerk.

### **Een stereopaar instellen met de Bang & Olufsen-app**

Selecteer in de app uw luidspreker en vervolgens geluidsinstellingen -> stereopaar maken. Kies vervolgens de andere luidspreker voor uw stereopaar.

### **Een paar scheiden**

Om een paar te scheiden en de luidsprekers afzonderlijk te gebruiken, houdt u op een van beide luidsprekers de knoppen [ < > ] tegelijkertijd twee seconden ingedrukt. U kunt ook naar geluidsinstellingen gaan in de Bang & Olufsen-app



## BATTERIJDUUR EN OPLADEN



Met de ingebouwde batterij kan de Beosound A5 meer dan 12 uur afspelen op een normaal luisterniveau en tot 4 uur op maximaal volume.

Als de Beosound A5 niet is aangesloten op het stroomnet, geeft het lampje naast de oplaadpoort kort aan wat de resterende batterijduur is wanneer u hem aanzet:

Kleur	Patroon	Betekenis
Green	Brandt continu	Meer dan 40% resterende batterijduur.
Oranje	Brandt continu	Minder dan 40% resterende batterijduur.
Rood	Brandt continu	Minder dan 10% resterende batterijduur.
	Knippert	Minder dan 1% resterende batterijduur. De luidspreker wordt uitgezet, tenzij deze op het stroomnet is aangesloten.

Bij een batterijduur van 10% en 1% hoort u ook een meldingsgeluid.

Laad de Beosound A5 op met de meegeleverde USB-C-adapter. Sluit de adapter aan op de laadpoort aan de achterkant van de luidspreker. Het lampje naast de laadpoort geeft de laadstatus aan:

Kleur	Patroon	Betekenis
Oranje	Pulseert langzaam	Aan het opladen.
Green	Brandt continu	Volledig opgeladen. Het lampje gaat na vijf minuten uit.

## Slaapstand en opslag

Met een volledig opgeladen batterij kan de BeoSound A5 tot tien dagen in de slaapstand blijven voordat hij weer moet worden opgeladen. Gedurende deze tijd ontwaakt de luidspreker met een druk op de aan-uitknop onmiddellijk uit de slaapstand.

Als u van plan bent uw Beosound A5 langere tijd niet te gebruiken, kunt u de opslagmodus activeren om de batterij te sparen. Houd de aan-uitknop acht seconden ingedrukt terwijl de luidspreker is ingeschakeld. U hoort nogmaals een geluid om de opslagmodus te bevestigen.

Opmerking: Als u de luidspreker weer wilt aanzetten vanuit de opslagmodus, moet u deze met een kabel op het stroomnet aansluiten.

## QI-LADEN



U kunt smartphones en andere Qi-compatibele apparaten bovenop uw Beosound A5 opladen. Plaats uw apparaat in of op de gestippelde cirkel om te beginnen met opladen.

De lichtindicator geeft de oplaadstatus van het apparaat weer:

Kleur	Patroon	Betekenis
Oranje	Pulseert langzaam	Aan het opladen.
Green	Brandt continu	Volledig opgeladen.
Rood	Knippert	Fout, bijv. vreemde objecten gedetecteerd op het laadgedeelte. Verwijder het apparaat en mogelijke obstakels en probeer het opnieuw.

Opmerking: Als u andere apparaten oplaadt terwijl de BeoSound A5 niet is aangesloten aan het stroomnet, zal dit de speelduur van de batterij verkorten. U kunt de Qi-laadfunctie uitschakelen in de Bang & Olufsen-app.

## STATUSLAMPJE



De lichtindicator bevindt zich naast de aan-uitknop aan de bovenkant van de Beosound A5 en toont de status van de luidspreker:

Kleur	Patroon	Betekenis
White	Brandt continu	De luidspreker staat aan en is verbonden met een netwerk en/of een bluetoothapparaat.
	Pulseert langzaam	Gepauzeerd, druk op afspelen om het afspelen te hervatten.
	Knippert	Aan het opstarten.
Blauw	Brandt continu	Bluetoothapparaat is verbonden.
	Knipperend	Bluetooth-pairing is ingeschakeld.
Oranje	Brandt continu	Geen verbinding met netwerk of bluetooth.
	Knippert	Klaar om verbinding te maken met wifi.
	Pulseert langzaam	Qi-lader is een apparaat aan het opladen.
Green	Brandt continu	Het apparaat op de Qi-lader is volledig opgeladen.
	Pulseert langzaam	Software-update, wacht tot het lampje weer wit wordt.
Rood	Knippert	Tijdelijke fout (bijv. oververhitting of Qi-laadfout).
	Brandt continu	Constante fout: neem contact op met ondersteuning voor hulp. U kunt ook ondersteuning krijgen via de Bang & Olufsen-app.

## MICROFOON

De BeoSound A5 heeft ingebouwde microfoons die door RoomSense worden gebruikt om het geluid van de luidspreker te optimaliseren.

Als u de microfoons wilt loskoppelen, zet u de schuifschakelaar [🔊] naast de laadpoort in de meest linkse stand (schakelaar wordt oranje). RoomSense kan niet worden ingesteld als de microfoons zijn losgekoppeld.

## DE BEOSOUND A5 RESETTEN

### **Wifi-instellingsmodus**

Om de Beosound A5 los te koppelen van het huidige wifinetwerk en te verbinden met een nieuw netwerk, houdt u de knoppen [<>] tegelijkertijd twee seconden ingedrukt. Het indicatielampje begint oranje te knipperen en de luidspreker is klaar om verbonden te worden via de Bang & Olufsen-app.

Om de wifiverbinding te annuleren en weer verbinding te maken met het vorige netwerk, houdt u de knoppen opnieuw ingedrukt.

Opmerking: Als uw Beosound A5 momenteel onderdeel is van een stereopaar is, zal het indrukken van de knoppen het stereopaar scheiden. Zodra het stereopaar is gescheiden, houdt u de knoppen opnieuw ingedrukt om de wifi-instellingsmodus te openen.

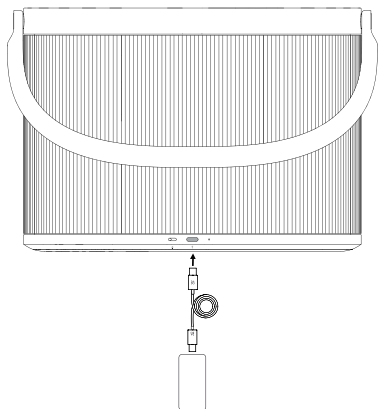
### **Hardware resetten**

Als uw Beosound A5 niet reageert, houd dan de aan-uitknop [⏻] gedurende 20 seconden ingedrukt om de hardware te resetten en het product opnieuw te starten. Dit is geen factory reset, uw instellingen worden niet gewist.

### **Terug naar de fabrieksinstellingen**

Om alle instellingen te wissen en de Beosound A5 terug te zetten naar de fabrieksinstellingen, houdt u de knoppen [<>] tegelijkertijd 8 seconden ingedrukt. Zodra de luidspreker opnieuw is opgestart en de lichtindicator oranje knippert, is de luidspreker klaar om opnieuw te worden ingesteld via de Bang & Olufsen-app.

## DÉMARRAGE

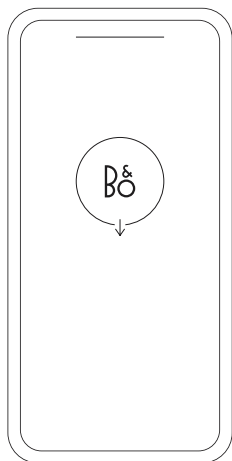


Sortez votre nouvelle Beosound A5 de la boîte et branchez-y le câble.

La batterie est déjà chargée, mais l'enceinte, pour sa protection, est en mode stockage. Lorsque vous branchez le câble, la Beosound A5 sort de veille et est prête à être configurée.

Commencez tout de suite à écouter des contenus et téléchargez l'application Bang & Olufsen pour découvrir toutes les fonctionnalités.

## TÉLÉCHARGER L'APPLICATION BANG & OLUFSEN



Profitez d'une expérience complète en téléchargeant l'application Bang & Olufsen.

Configurez votre nouvelle Beosound A5 et personnalisez-la à votre guise. Mettez à jour les fonctions les plus récentes, trouvez le niveau de volume parfait avec la commande de précision et adaptez le son à vos goûts avec les modes sonores Beosonic.

Vous pouvez également participer à la communauté des bêta-testeurs et obtenir une assistance à distance si vous avez besoin d'aide.



## **Se connecter au Wi-Fi**

Le moyen le plus simple de connecter votre Beosound A5 au Wi-Fi est d'utiliser l'application Bang & Olufsen. Il vous suffit de télécharger l'application et de suivre les instructions qui s'affichent à l'écran. Vous n'en aurez que pour quelques minutes.

Si vous ne souhaitez pas utiliser l'application, vous pouvez toujours effectuer la connexion dans les paramètres Wi-Fi de votre appareil (si vous êtes sur iPhone ou iPad) ou dans l'application Google Home.

## **Lecture de votre contenu**

Commencez à lire un contenu avec la source de votre choix et sélectionnez Beosound A5 comme enceinte de sortie. Les fonctionnalités de streaming suivantes sont disponibles lorsque vous êtes connecté au Wi-Fi :

- AirPlay 2
- Chromecast built-in
- Spotify Connect
- Tidal Connect
- Qplay
- DLNA
- Deezer (avec l'application Bang & Olufsen)
- B&O Radio (avec l'application Bang & Olufsen)

Avec le Wi-Fi, vous pouvez profiter de la meilleure qualité de son sans aucune interruption, même si vous recevez un appel ou si votre appareil se déconnecte. Vous pouvez également connecter plusieurs enceintes et créer une expérience multiroom (voir le paragraphe « Multiroom » pour plus d'informations).

De plus, vous pouvez diffuser en continu par Bluetooth. Voir le paragraphe « Bluetooth » pour plus d'informations.

## UTILISATION QUOTIDIENNE



Utilisez les boutons situés sur le dessus de la Beosound A5 pour accéder rapidement aux fonctions essentielles :

<b>Symbole</b>	<b>Fonctionnalités</b>
⏻	Appuyez pour allumer l'enceinte. Appuyez pendant deux secondes pour l'éteindre.
⌘	Appuyez pendant deux secondes pour coupler les appareils Bluetooth. Voir le paragraphe « Bluetooth » pour plus d'informations.
-+	Appuyez pour augmenter ou diminuer le volume.
▷	Appuyez pour lire le contenu ou mettre en pause la lecture. Appuyez pendant deux secondes pour rejoindre une expérience Beolink Multiroom. Voir le paragraphe « Multiroom » pour plus d'informations.
<>	Appuyez pour sauter des chansons ou des stations.
○, ○○, ○○○, ○○○○	Les quatre boutons de favoris offrent un accès direct à des stations de radio ou à des listes de lecture. Voir le paragraphe « Favoris » pour plus d'informations.

Les autres fonctionnalités du panneau supérieur de la Beosound A5 sont les suivantes :

A	Indicateur lumineux, montre le statut du produit. Voir « Voyant de statut » pour plus d'informations.
B	Chargeur Qi. Voir la note « Recharge Qi » pour plus d'informations.
C	Microphones intégrés (3).

## Bluetooth

Une connexion réseau est nécessaire pour utiliser toutes les fonctionnalités de la Beosound A5, mais vous pouvez écouter vos contenus où que vous soyez avec le Bluetooth.

Pour coupler un nouvel appareil, appuyez sur le bouton Bluetooth pendant deux secondes. Lorsque le voyant commence à clignoter en bleu, accédez aux paramètres Bluetooth de votre appareil et sélectionnez Beosound A5.

Pour vous connecter au dernier appareil Bluetooth utilisé, appuyez brièvement sur le bouton Bluetooth.

## Favoris

Accédez instantanément à vos contenus préférés grâce aux quatre boutons de favoris. Un simple appui vous permettra de lancer instantanément la lecture.

Les boutons sont préconfigurés avec les stations de radio les plus populaires de votre région et peuvent être liés à l'option de votre choix : d'autres stations via B&O Radio ou des playlists via Spotify Connect et Deezer.

Pour enregistrer un favori, lancez la lecture de la radio ou d'une liste de lecture sur votre appareil. Appuyez ensuite sur le bouton de favori sélectionné et maintenez-le enfoncé pendant deux secondes. Un son sera émis pour confirmer que votre choix est enregistré.

Une fois enregistré, un appui court sur le bouton de favori lancera immédiatement la lecture du contenu configuré.

## MULTIROOM



Profitez de la même chanson dans toute la maison. La Beosound A5 peut se connecter à d'autres enceintes dans un système multiroom de façon à ce que plusieurs enceintes lisent le même contenu en même temps. Vous pouvez profiter du multiroom de plusieurs manières :

### **BeoLink Multiroom**

Beolink est le système multiroom de Bang & Olufsen. Il peut diffuser tout ce que vous écoutez sur votre Beosound A5 sur d'autres enceintes et téléviseurs Bang & Olufsen qui appartiennent au même réseau.

Pour utiliser Beolink Multiroom, lancez la lecture sur une enceinte, puis maintenez [▷|] enfoncé sur une autre enceinte pendant deux secondes pour l'ajouter (tout cela sans smartphone). Vous pouvez également utiliser l'application Bang & Olufsen pour voir quels produits font partie de l'expérience multiroom.

Remarque : pour utiliser Beolink Multiroom et AirPlay en même temps, ouvrez d'abord l'application Bang & Olufsen et suivez Paramètres du produit -> Beolink Multiroom -> Activer AirPlay.

Remarque : Beolink Multiroom ne peut pas être utilisé avec Chromecast intégré.

## **Apple AirPlay**

Pour créer une expérience multiroom avec AirPlay, sélectionnez plusieurs enceintes dans le menu de sortie audio de votre appareil Apple. La Beosound A5 peut également lire des contenus en synchronisation avec les enceintes d'autres marques qui prennent en charge AirPlay 2.

## **Chromecast built-in**

Lorsque vous diffusez des contenus sur vos enceintes avec Chromecast, vous pouvez utiliser l'application Google Home sur votre smartphone pour que les enceintes jouent en synchronisation. Dans l'application, sélectionnez Médias et choisissez les enceintes à ajouter à l'expérience.

## PERSONNALISEZ VOTRE SON

Réglez le son et obtenez le meilleur de votre Beosound A5 dans l'application Bang & Olufsen.

### Modes sonores

Avec les Modes sonores, vous pouvez choisir le son selon vos goûts et l'atmosphère souhaitée. Choisissez entre les Modes sonores inclus ou créez le vôtre avec Beosonic.

Les Modes sonores personnalisés peuvent être enregistrés pour plus tard sur Beosonic et activés en appuyant simplement sur un bouton. Lorsque vous enregistrez un Mode sonore, celui-ci mémorise les paramètres Beosonic et de direction du son.

Pour réorganiser les Modes sonores ou en supprimer, appuyez sur [☰] à côté des boutons Mode sonore.



### Beosonic

Appuyez sur [☉] pour personnaliser le son avec Beosonic. Déplacez le point pour trouver votre son préféré. Écartez ou pincez avec deux doigts pour modifier l'immersion.

### Directivité du son

Choisissez entre deux modes de directivité différents en fonction de la situation :

Le symbole avant dirige le son vers les auditeurs qui se trouvent devant l'enceinte. C'est la solution idéale lorsque l'enceinte est placée contre un mur.

Le symbole omnidirectionnel crée un champ sonore uniforme autour de l'enceinte. Il est parfait dans un parc ou à l'occasion d'un pique-nique, où les auditeurs sont dispersés.

### RoomSense

Avec la Beosound A5, vous pouvez utiliser RoomSense, le système de calibration acoustique propriétaire de Bang & Olufsen. Ce système optimise le son en fonction de l'emplacement de l'enceinte dans la pièce.

Activez RoomSense dans l'application Bang & Olufsen sous Paramètres audio. Les microphones de la Beosound A5 doivent être activés pendant l'exécution de RoomSense.

## COUPLAGE STÉRÉO



Connectez deux Beosound A5 pour profiter d'une expérience stéréo complète et flexible. Le couplage stéréo est disponible lorsque les deux enceintes ont été configurées dans l'application Bang & Olufsen avec le même compte et sont connectées au même réseau.

### **Couplage stéréo avec l'application Bang & Olufsen**

Dans l'application, sélectionnez votre enceinte, puis suivez Paramètres audio -> Créer une paire stéréo. Choisissez ensuite l'autre enceinte pour votre paire stéréo.

### **Séparer une paire**

Pour séparer une paire et utiliser les enceintes individuellement, vous pouvez appuyer simultanément sur les boutons [ $<$ ] et [ $>$ ] et les maintenir enfoncés pendant deux secondes sur l'une ou l'autre des enceintes. Vous pouvez également accéder à Réglages sonores dans l'application Bang & Olufsen.

## AUTONOMIE DE LA BATTERIE ET CHARGEMENT



Avec sa batterie intégrée, la Beosound A5 peut fonctionner pendant plus de 12 heures à volume moyen et jusqu'à 4 heures à volume maximal.

Lorsque la Beosound A5 n'est pas raccordée au secteur, le voyant situé à côté du port de charge indique brièvement l'autonomie restante de la batterie lorsque vous allumez l'appareil :

Couleur	Modèle	Signification
Vert	Non clignotant	Plus de 40 % d'autonomie.
Orange	Non clignotant	Moins de 40 % d'autonomie.
Rouge	Non clignotant	Moins de 10 % d'autonomie.
	Clignotant	Moins de 1 % d'autonomie. L'enceinte se désactivera si elle n'est pas raccordée au secteur.

À 10 % et à 1 %, vous entendrez également un son de notification.

Vous pouvez recharger la Beosound A5 avec l'adaptateur secteur USB-C fourni. Branchez l'adaptateur au port de charge situé à l'arrière de l'enceinte. Le voyant situé à côté du port de charge indique l'état de charge :



Couleur	Comportement	Signification
Orange	Clignotement lent	Chargement en cours.
Vert	Non clignotant	Charge terminée. Le voyant s'éteindra après cinq minutes.

## Veille et rangement

Avec une batterie entièrement rechargée, la Beosound A5 peut rester en mode veille jusqu'à 10 jours. Pendant cette période, il suffit d'appuyer sur le bouton d'alimentation pour la sortir du mode veille.

Si vous prévoyez de ne pas utiliser votre Beosound A5 pendant une période prolongée, vous pouvez activer le mode stockage pour préserver la batterie. Lorsque l'enceinte est allumée, appuyez sur le bouton d'alimentation et maintenez-le enfoncé pendant huit secondes. Vous entendrez un autre son qui confirmera le mode stockage.

Remarque : pour rallumer une enceinte en mode stockage, vous devez la raccorder au secteur avec un câble.

## RECHARGE Qi



Vous pouvez charger des smartphones et d'autres appareils compatibles Qi sur votre Beosound A5. Placez votre appareil à l'intérieur du cercle en pointillé pour lancer le chargement.

Le voyant indique l'état de charge de l'appareil :

Couleur	Comportement	Signification
Orange	Clignotement lent	Chargement en cours.
Vert	Non clignotant	Charge terminée.
Rouge	Clignotant	Erreur, p. ex. objets étrangers détectés sur le pavé. Retirez l'appareil, les éventuelles obstructions, puis réessayez.

Remarque : le chargement d'autres appareils avec une Beosound A5 qui n'est pas branchée réduira l'autonomie de la batterie. Vous pouvez désactiver la fonction de chargement Qi dans l'application Bang & Olufsen.

## TÉMOIN LUMINEUX D'ÉTAT



L'indicateur lumineux est situé sur le dessus de la Beosound A5, à côté du bouton d'alimentation, et indique l'état de l'enceinte :

Couleur	Comportement	Signification
Blanc	Non clignotant	L'enceinte est allumée et connectée à un réseau et/ou à un appareil Bluetooth.
	Clignotement lent	En pause, appuyez sur PLAY pour reprendre la lecture.
	Clignotant	Démarrage.
bleu	Non clignotant	L'appareil Bluetooth a été connecté.
	Pulsation	Disponible pour un couplage Bluetooth.
Orange	Non clignotant	Non connectée au réseau ou au Bluetooth.
	Clignotant	Prête à se connecter au Wi-Fi.
	Clignotement lent	Appareil en cours de charge sur le chargeur Qi.
Vert	Non clignotant	L'appareil placé sur le chargeur Qi est entièrement rechargé.
	Clignotement lent	Mise à jour du logiciel en cours, attendez que le voyant redevienne blanc fixe.
Rouge	Clignotant	Erreur temporaire (par exemple, surchauffe ou erreur de charge Qi).
	Non clignotant	Erreur statique, contactez le service d'assistance pour obtenir de l'aide. Vous pouvez également contacter l'assistance sur l'application Bang & Olufsen.

## MICROPHONE

La Beosound A5 est équipée de microphones intégrés qui sont utilisés par RoomSense pour optimiser le son de l'enceinte en fonction de son emplacement.

Si vous souhaitez déconnecter les microphones, déplacez le curseur [🔊] à côté du port de charge vers la position la plus à gauche (l'interrupteur s'allume en orange). RoomSense ne peut pas être configuré lorsque les microphones sont déconnectés.

## RÉINITIALISER LA BEOSOUND A5

### **Mode de configuration Wi-Fi**

Pour déconnecter la Beosound A5 du réseau Wi-Fi actuel et la connecter à un nouveau réseau, appuyez simultanément sur les boutons [ < > ] et maintenez-les enfoncés pendant deux secondes. Le voyant lumineux commence à clignoter en orange et l'enceinte est prête à être connectée dans l'application Bang & Olufsen.

Pour annuler la configuration Wi-Fi et vous reconnecter au réseau précédent, appuyez de nouveau sur les boutons et maintenez-les enfoncés.

Remarque : si votre Beosound A5 est actuellement couplée en stéréo, le fait d'appuyer sur les boutons et de les maintenir enfoncés séparera la paire. Une fois la paire stéréo séparée, appuyez à nouveau sur les boutons et maintenez-les enfoncés pour passer en mode de configuration Wi-Fi.

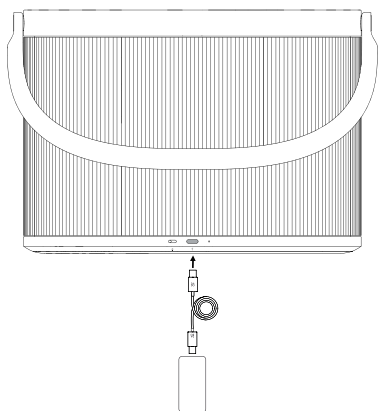
### **Réinitialisation du système**

Si votre Beosound A5 ne répond plus, appuyez sur le bouton d'alimentation [ ⏻ ] et maintenez-le enfoncé pendant 20 secondes pour réinitialiser le système et redémarrer le produit. Ceci n'est pas une réinitialisation d'usine, et vos paramètres ne seront pas effacés.

### **Restaurer les réglages d'usine**

Pour effacer tous les paramètres et réinitialiser la Beosound A5 aux paramètres d'usine par défaut, appuyez simultanément sur les boutons [ < > ] et maintenez-les enfoncés pendant 8 secondes. Une fois que l'enceinte a redémarré et que le voyant lumineux clignote en orange, elle est prête à être configurée à nouveau dans l'application Bang & Olufsen.

## INTRODUCCIÓN

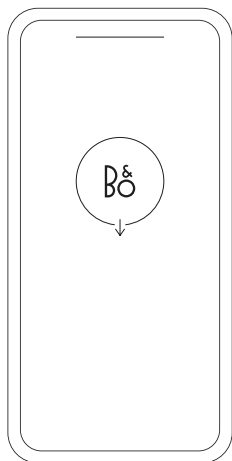


Saque el nuevo Beosound A5 de la caja y conecte el cable.

La batería ya está cargada, pero el altavoz está en modo de almacenamiento para conservarla. Al conectar el cable, Beosound A5 se encenderá y estará listo para configurarse.

Comience a escuchar de inmediato y descargue la aplicación Bang & Olufsen para explorar todas las funciones y características.

## DESCARGAR LA APLICACIÓN BANG & OLUFSEN



Descargue la aplicación Bang & Olufsen para obtener la experiencia completa.

Configure su nuevo Beosound A5 y personalícelo. Actualice a las funciones más recientes, encuentre el nivel perfecto con un control preciso del volumen y adapte el sonido a su gusto con los modos de sonido Beosonic.

También puede explorar detalladamente las funciones, como la comunidad de evaluadores beta, y obtener soporte remoto si necesita ayuda.

## **Conectarse a la red wifi**

La forma más sencilla de conectar Beosound A5 a la red wifi es a través de la aplicación Bang & Olufsen. Solo tiene que descargar la aplicación y seguir las instrucciones en pantalla. Se configurará en cuestión de minutos.

Si no desea utilizar la aplicación, puede conectarse a través de los ajustes wifi de su dispositivo (si tiene un iPhone o iPad) o a través de la aplicación Google Home.

## **Reproducir su contenido**

Comience a reproducir desde la fuente que elija y seleccione Beosound A5 como altavoz para escuchar. Las siguientes funciones de transmisión están disponibles cuando está conectado a una red wifi:

- AirPlay 2
- Chromecast incorporado (built-in)
- Spotify Connect
- Tidal connect
- QPlay
- DLNA
- Deezer (mediante la aplicación Bang & Olufsen)
- B&O Radio (mediante la aplicación Bang & Olufsen)

Conectado a la red wifi, puede disfrutar de la máxima calidad de sonido sin interrupciones, incluso si recibe una llamada o si su dispositivo se desconecta. También puede conectar varios altavoces en una experiencia multiroom (consulte "Multiroom" para obtener más información).

Además, puede transmitir mediante Bluetooth. Consulte "Bluetooth" para obtener más información.



## USO DIARIO



Utilice los botones de la parte superior de Beosound A5 para acceder rápidamente a las funciones esenciales:

<b>Símbolo</b>	<b>Función</b>
⏻	Pulse para encender el altavoz. Mantenga pulsado durante dos segundos para apagarlo.
⌘	Mantenga pulsado durante dos segundos para emparejarlo con dispositivos Bluetooth. Consulte "Bluetooth" para obtener más información.
-+	Pulse para subir o bajar el volumen.
▶	Pulse para reproducir o pausar el contenido. Mantenga pulsado durante dos segundos para unirse a una experiencia Beolink Multiroom. Consulte "Multiroom" para obtener más información.
<>	Pulse para saltar canciones o emisoras.
○ ○ ○ ○ ○ ○ ○ ○	Cuatro botones de favoritos ofrecen acceso a emisoras de radio o listas de reproducción con un solo toque. Consulte "Favoritos" para obtener más información.

Otras funciones del panel superior de Beosound A5 son las siguientes:

A	Indicador luminoso, que muestra el estado del producto. Consulte "Indicador luminoso de estado" para obtener más información.
B	Cargador inalámbrico Qi. Consulte "Carga inalámbrica Qi" para obtener más información.
C	Micrófonos integrados (3).

## **Bluetooth**

Se necesita una conexión de red para utilizar todas las funciones de Beosound A5, pero puede escuchar música en cualquier lugar a través de Bluetooth.

Para emparejar un nuevo dispositivo, mantenga pulsado el botón de Bluetooth durante dos segundos. Cuando la luz comience a parpadear en azul, diríjase a la configuración de Bluetooth del dispositivo y seleccione Beosound A5.

Para conectarse con el último dispositivo Bluetooth utilizado, pulse brevemente el botón Bluetooth.

## **Favoritos**

Obtenga acceso instantáneo a su contenido favorito con los cuatro botones de favoritos. Con una sola pulsación, podrá comenzar a escuchar de inmediato.

Los botones están preconfigurados con las emisoras de radio más populares de su zona, pero puede cambiar esto fácilmente: elija otras emisoras mediante B&O Radio o listas de reproducción a través de Spotify Connect y Deezer.

Para guardar un favorito, empiece a reproducir la radio o una lista de reproducción en su dispositivo. Luego, mantenga pulsado el botón de favorito seleccionado durante dos segundos. Se reproducirá un sonido para confirmar que se ha guardado su elección.

Una vez guardada, una pulsación breve en el botón de favoritos comenzará a reproducir su contenido favorito de inmediato.

## MULTIROOM



Consiga que toda la casa se una en una sola canción. Beosound A5 puede conectarse a otros altavoces en un sistema multiroom y permitir que varios altavoces de su casa reproduzcan el mismo contenido a la vez. Puede disfrutar multiroom de varias formas distintas:

### **Beolink Multiroom**

Beolink es el sistema multiroom propio de Bang & Olufsen. Puede distribuir todo lo que se reproduzca en su Beosound A5 a otros altavoces y televisores Bang & Olufsen de la misma red.

Para utilizar Beolink Multiroom, comience a reproducir en un altavoz y, a continuación, mantenga pulsado [▶|] en otro altavoz (durante dos segundos) para conectarlo; todo ello sin necesidad de un teléfono. También puede usar la aplicación Bang & Olufsen para ver qué productos se están reproduciendo y añadir más a la experiencia continua sin tener que ir a donde se encuentran.

Nota: Para utilizar Beolink Multiroom y AirPlay juntos, abra primero la aplicación Bang & Olufsen y diríjase a Configuración del producto -> Beolink Multiroom -> Activar AirPlay.

Nota: Beolink Multiroom no puede utilizarse junto con Chromecast integrado.

## **Apple AirPlay**

Para crear una experiencia multirroom con AirPlay, seleccione varios altavoces en el menú de salida de sonido de su dispositivo Apple. Beosound A5 también puede reproducirse junto con altavoces de otras marcas compatibles con AirPlay 2.

## **Chromecast incorporado (built-in)**

Al transmitir contenido a sus altavoces a través de Chromecast, puede usar la aplicación Google Home en su smartphone para agrupar los altavoces y reproducirlos juntos. En la aplicación, seleccione Medios y elija los altavoces que desee añadir a la experiencia.

## PERSONALICE SU SONIDO

Ajuste el sonido y aproveche al máximo su Beosound A5 en la aplicación Bang & Olufsen.

### Modos de sonido

Con los Modos de sonido, puede seleccionar el sonido según su gusto y según la ocasión. Elija entre los Modos de sonido incluidos o cree los suyos propios con Beosonic.

Los Modos de sonido personalizados se pueden guardar para más tarde desde Beosonic y se activan con un solo toque. Al guardar un modo de sonido, este recuerda la configuración de dirección de sonido y de Beosonic.

Para reordenar o eliminar Modos de sonido, pulse [☰] junto a los botones Modo de sonido.



### Beosonic

Pulse [☉] para personalizar el sonido con Beosonic. Mueva el punto para encontrar su sonido general preferido. Extienda o pellizque con dos dedos para cambiar el nivel de sonido envolvente.

### Dirección del sonido

Elija entre dos modos de dirección diferentes, dependiendo de la situación:

Frontal dirige el sonido a los oyentes frente al altavoz. Esto es ideal cuando el altavoz se sitúa contra una pared.

Omni crea un campo de sonido uniforme alrededor del altavoz, ideal para el parque o un picnic en el que los oyentes estén dispersos.

### RoomSense

Con Beosound A5, puede utilizar RoomSense, la compensación de habitación patentada de Bang & Olufsen. Optimiza el sonido en relación con la ubicación del altavoz en la habitación.

Active RoomSense en la aplicación Bang & Olufsen desde Configuración de sonido. Los micrófonos de Beosound A5 deben encenderse mientras se ejecuta RoomSense.

## EMPAREJAMIENTO ESTÉREO



Empareje dos Beosound A5 para disfrutar de una experiencia estéreo completa y flexible. El emparejamiento estéreo está disponible cuando ambos altavoces se han configurado en la aplicación Bang & Olufsen con la misma cuenta y están conectados a la misma red.

### **Emparejamiento estéreo con la aplicación Bang & Olufsen**

En la aplicación, seleccione el altavoz y, luego, Configuración de sonido -> Crear un emparejamiento estéreo. Después, elija el otro altavoz para su emparejamiento estéreo.

### **Separar un emparejamiento**

Para separar un emparejamiento y utilizar los altavoces de forma individual, puede mantener pulsados los botones [ < > ] al mismo tiempo durante dos segundos en cualquiera de los altavoces o acceder a la Configuración de sonido de la aplicación Bang & Olufsen.

## DURACIÓN DE LA BATERÍA Y CARGA



Con su batería integrada, Beosound A5 puede reproducir más de 12 horas a niveles de escucha típicos y hasta 4 horas al volumen máximo.

Cuando Beosound A5 no esté conectado a la alimentación, la luz situada junto al puerto de carga mostrará brevemente la duración restante de la batería al encenderla:

Color	Patrón	Significado
Verde	Constante	Queda más del 40 % de batería.
Ámbar	Constante	Queda menos del 40 % de batería.
Rojo	Constante	Queda menos del 10 % de batería.
	Parpadea	Queda menos del 1 % de batería. El altavoz se apagará si no se conecta a la alimentación.

Cuando el nivel de batería llegue al 10 % y al 1 %, también escuchará una notificación sonora.

Cargue Beosound A5 con el adaptador de corriente USB-C incluido. Conéctelo al puerto de carga de la parte posterior del altavoz. La luz junto al puerto de carga indicará el estado de carga:

Color	Patrón	Significado
Ámbar	Parpadea lentamente	Está cargando.
Verde	Constante	Está totalmente cargado. La luz se apagará después de cinco minutos.

## **Modo reposo y de almacenamiento**

Con una batería completamente cargada, Beosound A5 puede permanecer en modo reposo hasta 10 días antes de tener que volver a cargarse. Durante este periodo, se activará al instante cuando se pulse el botón de encendido.

Si no tiene previsto usar Beosound A5 durante mucho tiempo, puede activar el modo de almacenamiento para conservar la batería. Cuando el altavoz esté encendido, mantenga pulsado el botón de encendido durante ocho segundos. Escuchará otro aviso sonoro para confirmar el modo de almacenamiento.

Nota: Para volver a encender el altavoz desde el modo de almacenamiento, debe conectarlo a la alimentación con un cable.



## CARGA INALÁMBRICA Qi



Puede cargar smartphones y otros dispositivos compatibles con Qi sobre su Beosound A5. Sitúe el dispositivo sobre el círculo de puntos para empezar a cargar.

El indicador luminoso mostrará el estado de carga del dispositivo:

Color	Patrón	Significado
Ámbar	Parpadea lentamente	Está cargando.
Verde	Constante	Está totalmente cargado.
Rojo	Parpadea	Error, por ejemplo, objetos extraños detectados en la base. Retire el dispositivo y las posibles obstrucciones, y vuelva a intentarlo.

Nota: Cargar otros dispositivos mientras Beosound A5 no está enchufado acortará el tiempo de reproducción de la batería. Puede desactivar la función de carga inalámbrica Qi en la aplicación Bang & Olufsen.

## INDICADOR LUMINOSO DE ESTADO



El indicador luminoso se encuentra en la parte superior del Beosound A5, junto al botón de encendido y muestra el estado del altavoz:

Color	Patrón	Significado
Blanco	Constante	El altavoz está encendido y conectado a una red o a un dispositivo Bluetooth.
	Parpadea lentamente	En pausa, pulse reproducir para reanudar la reproducción.
	Parpadea	Se está iniciando.
Azul	Constante	Dispositivo Bluetooth conectado correctamente.
	Parpadeante	Disponible para emparejamiento Bluetooth.
Ámbar	Constante	No está conectado a la red o a Bluetooth.
	Parpadea	Listo para conectarse a la red wifi.
	Parpadea lentamente	El dispositivo está cargando en el cargador inalámbrico Qi.
Verde	Constante	El dispositivo en el cargador inalámbrico Qi está completamente cargado.
	Parpadea lentamente	Actualización de software: Espere hasta que la luz se vuelva blanca constante.
Rojo	Parpadea	Error temporal, por ejemplo, sobrecalentamiento o error de carga inalámbrica Qi.
	Constante	Error estático: Póngase en contacto con el servicio de asistencia para recibir ayuda. También puede obtener asistencia a través de la aplicación Bang & Olufsen.

## MICRÓFONO

Beosound A5 cuenta con micrófonos integrados que RoomSense utiliza para optimizar el sonido del altavoz en su ubicación.

Si desea desconectar los micrófonos, mueva el control deslizante [🔊] junto al puerto de carga en el extremo izquierdo (el control mostrará una luz naranja). RoomSense no se puede configurar cuando los micrófonos estén desconectados.

## RESTABLECER BEOSOUND A5

### **Modo de configuración de wifi**

Para desconectar Beosound A5 de la red wifi actual y conectarlo a una nueva, mantenga pulsados los botones [ ] al mismo tiempo durante dos segundos. El indicador luminoso comenzará a parpadear en naranja y el altavoz estará listo para conectarse a través de la aplicación Bang & Olufsen.

Para cancelar la configuración de wifi y volver a conectarse a la red anterior, mantenga pulsados los botones de nuevo.

Nota: Si su Beosound A5 tiene un emparejamiento estéreo ahora, se deshará al mantener pulsados los botones. Una vez separado el emparejamiento estéreo, mantenga pulsados los botones de nuevo para entrar en el modo de configuración de wifi.

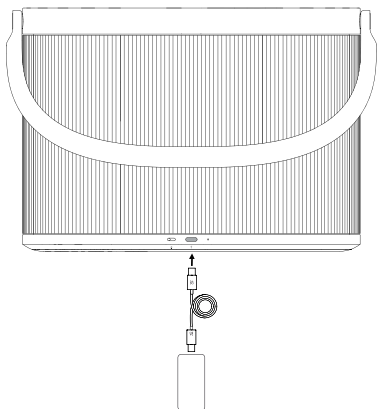
### **Restablecimiento de hardware**

Si Beosound A5 no responde, mantenga pulsado el botón de encendido [⏻] durante 20 segundos para restablecer el hardware y reiniciar el equipo. Este no es un restablecimiento de fábrica. Su configuración no se borrará.

### **Restaurar la configuración de fábrica**

Para borrar todos los ajustes y restablecer Beosound A5 a la configuración predeterminada de fábrica, mantenga pulsados los botones [<>] al mismo tiempo durante 8 segundos. Cuando el altavoz se reinicie y el indicador luminoso parpadee en naranja, podrá configurarlo de nuevo a través de la aplicación Bang & Olufsen.

## INTRODUZIONE

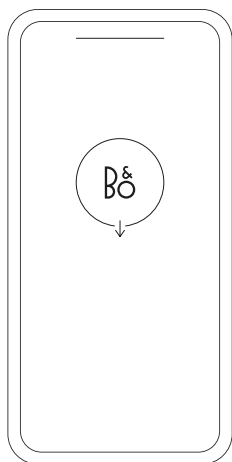


Estrarre il Beosound A5 dalla confezione e collegare il cavo.

La batteria è già carica, ma per preservarla il diffusore è in modalità di trasporto. Una volta collegato il cavo, il Beosound A5 si attiverà e sarà possibile procedere alla sua configurazione,

dopodiché sarà possibile cominciare immediatamente a utilizzarlo. Consigliamo di scaricare l'app Bang & Olufsen per esplorare tutte le caratteristiche e le funzionalità del dispositivo.

## SCARICA L'APP DI BANG & OLUFSEN



L'app Bang & Olufsen consente di vivere nel modo più completo l'esperienza d'uso di Beosound A5.

Configurare il tuo nuovo Beosound A5 e personalizzarlo. Effettuare l'aggiornamento per sfruttare le funzioni più recenti, trovare il livello audio perfetto con il controllo di precisione del volume, e adattare il suono ai propri gusti con le modalità sonore di Beosonic.

È anche possibile sperimentare funzionalità avanzate, come ad esempio la community di beta tester, oppure ottenere assistenza da remoto in caso di necessità.

## **Connessione alla rete Wi-Fi**

Il modo più semplice per collegare il Beosound A5 al Wi-Fi è tramite l'app Bang & Olufsen. Scaricare l'app e seguire le istruzioni visualizzate sullo schermo. La configurazione verrà completata nel giro di qualche minuto.

Se non si desidera utilizzare l'app, è possibile effettuare la connessione tramite le impostazioni Wi-Fi del dispositivo (nel caso di iPhone o iPad) o tramite l'app Google Home.

## **Riproduzione dei contenuti**

Avviare la riproduzione dalla sorgente di preferenza e selezionare Beosound A5 come diffusore per l'ascolto. Le seguenti funzioni di streaming sono disponibili quando si è connessi al Wi-Fi:

- AirPlay 2
- Chromecast built-in
- Spotify Connect
- Tidal Connect
- QPlay
- DLNA
- Deezer (tramite l'app Bang & Olufsen)
- B&O Radio (tramite l'app Bang & Olufsen)

Con il Wi-Fi, sarà possibile godere audio di altissima qualità senza interruzioni, anche durante chiamate in arrivo o in caso di disconnessioni del dispositivo. È inoltre possibile collegare più diffusori per un'esperienza multiroom (vedere "Multiroom" per maggiori informazioni).

Inoltre, è possibile eseguire lo streaming tramite Bluetooth. Vedere "Bluetooth" per ulteriori informazioni.

## USO QUOTIDIANO



Utilizzare i pulsanti sulla parte superiore del Beosound A5 per accedere rapidamente alle funzioni essenziali:

<b>Simbolo</b>	<b>Funzione</b>
⏻	Premere per accendere il diffusore. Tenere il tasto premuto per due secondi per spegnerlo.
⌘	Tenere premuto per due secondi per effettuare l'associazione ai dispositivi Bluetooth. Vedere "Bluetooth" per ulteriori informazioni.
-+	Premere per aumentare o abbassare il volume.
▶	Premere per riprodurre o mettere in pausa il contenuto. Tenere premuto per due secondi per partecipare a un'esperienza Beolink Multiroom. Vedere "Multiroom" per ulteriori informazioni.
<>	Premere per saltare brani o stazioni.
○, ○○, ○○○, ○○○○	I quattro pulsanti "Preferiti" offrono l'accesso immediato alle stazioni radio o playlist preferite. Vedere "Preferiti" per ulteriori informazioni.

Le altre funzioni selezionabili dal pannello superiore del Beosound A5 sono:



A	Indicatore luminoso, che mostra lo stato del prodotto. Vedere "Indicatore luminoso di stato" per ulteriori informazioni.
B	Caricabatteria per Qi. Vedere "Ricarica con Qi" per ulteriori informazioni.
C	Microfoni integrati (3).

## Bluetooth

Per sfruttare tutte le funzionalità di Beosound A5 è richiesta una connessione di rete, ma è possibile ascoltare ovunque grazie al collegamento Bluetooth.

Per associare un nuovo dispositivo, tenere premuto il pulsante Bluetooth per due secondi. Quando la luce inizia a lampeggiare in blu, andare sulle impostazioni Bluetooth del proprio dispositivo e selezionare "Beosound A5".

Per effettuare la connessione all'ultimo dispositivo Bluetooth utilizzato, premere brevemente il pulsante Bluetooth.

## Preferiti

Grazie ai quattro pulsanti "Preferiti", è possibile accedere immediatamente ai contenuti preferiti. Per avviare l'ascolto sarà sufficiente premere il relativo tasto.

I pulsanti sono automaticamente associati alle stazioni radio più popolari della zona dell'utente e possono essere facilmente configurati in base alle proprie esigenze. È possibile configurare altre stazioni tramite la radio, oppure memorizzare le playlist B&O tramite Spotify Connect e Deezer.

Per salvare una stazione o una playlist, avviare la riproduzione sul dispositivo. Poi, tenere premuto per due secondi il pulsante "Preferiti" selezionato. Un segnale acustico confermerà la memorizzazione della selezione.

Una volta salvata la selezione, basterà una pressione sul tasto per avviare la riproduzione della radio o della playlist memorizzate.

## MULTIROOM



Trasformate tutta la casa in uno strumento musicale. Il Beosound A5 può connettersi ad altri diffusori in un sistema multiroom, e consentire a più diffusori domestici di riprodurre gli stessi contenuti contemporaneamente. È possibile sfruttare l'opzione multiroom in diversi modi:

### **BeoLink Multiroom**

Beolink è il sistema multiroom di Bang & Olufsen, pensato per distribuire qualsiasi contenuto riprodotto su Beosound A5 ad altri diffusori e televisori Bang & Olufsen connessi alla medesima rete.

Per utilizzare Beolink Multiroom, avviare la riproduzione su un diffusore, quindi tenere premuto [▶||] su un altro diffusore (per due secondi) per collegarlo, il tutto senza uno smartphone. È inoltre possibile utilizzare l'app Bang & Olufsen per vedere quali prodotti sono in riproduzione, e aggiungerne un altro senza doversi fisicamente recare presso di esso.

Nota: per utilizzare Beolink Multiroom e AirPlay insieme, aprire prima l'app Bang & Olufsen e andare su Impostazioni prodotto -> Beolink Multiroom -> Abilita AirPlay.

Nota: Beolink Multiroom non può essere utilizzato con Chromecast integrato.

## **Apple AirPlay**

Per creare un'esperienza multiroom con AirPlay, selezionare più diffusori dal menu di uscita audio sul proprio dispositivo Apple. Beosound A5 funziona anche con diffusori di altre marche che supportano AirPlay 2.

## **Chromecast built-in**

Quando si trasmettono contenuti ai diffusori tramite Chromecast, è possibile utilizzare l'app Google Home sullo smartphone per raggruppare i diffusori in modo che funzionino assieme. Nell'app, selezionare Media e scegliere gli altoparlanti da aggiungere all'esperienza.

## PERSONALIZZAZIONE DEL SUONO

È possibile regolare l'audio e ottenere il massimo dal Beosound A5 tramite l'app Bang & Olufsen.

### Modalità audio

Con le modalità audio, è possibile personalizzare il suono secondo i propri gusti e a seconda dell'occasione. Si può scegliere tra le modalità audio incluse, oppure creare una da zero con Beosonic.

Le modalità audio personalizzate possono essere salvate da Beosonic e attivate con un solo tocco. Quando si salva una modalità audio, il sistema ricorda sia le impostazioni di Beosonic che quelle relative alla direzionalità del suono.

Per riordinare o eliminare le modalità audio, premere [≡] accanto ai pulsanti della modalità audio.



### Beosonic

Premere [⊙] per personalizzare il suono con Beosonic. Spostare il punto per trovare il suono di preferenza. Restringere o espandere la selezione con due dita per modificare il livello di immersività.

### Direzionalità del suono

È possibile scegliere tra due diverse modalità di gestione della direzionalità del suono, a seconda della situazione:

La modalità Front indirizza il suono verso gli ascoltatori posti davanti al diffusore, ed è la soluzione ideale quando l'apparecchio è posizionato contro una parete.

La modalità Omni crea un campo sonoro uniforme intorno al diffusore, ed è una soluzione perfetta per l'ascolto in luoghi aperti, come al parco durante un picnic.



### RoomSense

Con Beosound A5 è possibile utilizzare RoomSense, il sistema brevettato di Bang & Olufsen per l'armonizzazione sonora in un ambiente chiuso. Questa funzionalità permette di ottimizzare l'audio a seconda della posizione dell'ascoltatore nella stanza.

Attivare RoomSense nell'app Bang & Olufsen alla voce Impostazioni audio. I microfoni di Beosound A5 devono essere accesi durante l'attivazione di RoomSense.

## ACCOPIAMENTO STEREO



Per un'esperienza stereofonica completa e flessibile, collegare due Beosound A5. L'abbinamento stereofonico è disponibile quando entrambi i diffusori sono stati configurati nell'app Bang & Olufsen con lo stesso account e sono collegati alla stessa rete.

### **Abbinamento stereofonico con l'app Bang & Olufsen**

Nell'app, selezionare l'altoparlante, quindi Impostazioni audio -> Crea coppia stereo. A seguire, selezionare l'altro diffusore da associare.

### **Disassociazione di una coppia di diffusori**

Per disassociare una coppia di dispositivi e utilizzare i diffusori singolarmente, tenere premuti contemporaneamente i tasti [ $<$   $>$ ] per due secondi su entrambi i diffusori, oppure accedere alle impostazioni audio nell'app Bang & Olufsen.

## DURATA DELLA BATTERIA E RICARICA



Grazie alla batteria integrata, Beosound A5 può riprodurre più di 12 ore a livelli di ascolto tipici e fino a 4 ore al volume massimo.

Quando Beosound A5 non è collegato all'alimentazione, all'accensione la spia posta accanto alla porta di ricarica mostrerà brevemente la durata della batteria rimanente:

Colore	Schema	Significato
Verde	Spia sempre accesa	Più del 40% della durata residua della batteria.
Ambra	Spia sempre accesa	Meno del 40% della durata residua della batteria.
Rosso	Spia sempre accesa	Meno del 10% della durata residua della batteria.
	Spia lampeggiante	Meno dell'1% della durata residua della batteria. Il diffusore si spegne se non è collegato all'alimentazione.

Al 10% e all'1% si udrà un segnale di avviso.

Caricare il Beosound A5 con l'alimentatore USB-C in dotazione. Collegarlo alla porta di ricarica posta sul retro del diffusore. La luce accanto alla porta di ricarica indicherà lo stato di carica:

Colore	Schema	Significato
Ambra	Lampeggiamento lento	In carica.
Verde	Spia sempre accesa	Dispositivo completamente carico. La luce si spegnerà dopo cinque minuti.

### **Modalità stand-by e modalità riposo**

Con una batteria completamente carica, Beosound A5 può rimanere in modalità sospensione fino a 10 giorni prima di dover essere ricaricato. Durante questo periodo, sarà possibile riattivarlo immediatamente premendo il pulsante di accensione.

Se si prevede di non utilizzare Beosound A5 per molto tempo, è possibile attivare la modalità di riposo per preservarne la batteria. Quando il diffusore è acceso, tenere premuto il pulsante di accensione per otto secondi. L'attivazione della modalità di riposo verrà confermata da un segnale sonoro.

Nota: per riaccendere l'altoparlante dalla modalità di riposo, è necessario collegarlo all'alimentazione con un cavo.

## RICARICA CON Qi



È possibile caricare smartphone e altri dispositivi compatibili con Qi su Beosound A5. Posizionare il dispositivo all'interno o sopra il cerchio tratteggiato per avviare la ricarica.

L'indicatore luminoso mostrerà lo stato di ricarica del dispositivo:

Colore	Schema	Significato
Ambra	Lampeggiamento lento	In carica.
Verde	Spia sempre accesa	Dispositivo completamente carico.
Rosso	Spia lampeggiante	Errore, ad es. oggetti rilevati sul pad. Rimuovere il dispositivo e possibili ostruzioni, quindi riprovare.

Nota: se si caricano altri dispositivi mentre Beosound A5 non è collegato, la durata di riproduzione della batteria risulterà diminuita. È possibile disattivare la funzione di ricarica Qi nell'app Bang & Olufsen.



## SPIA LUMINOSA



La spia luminosa si trova sulla parte superiore di Beosound A5 accanto al pulsante di accensione, e mostra lo stato del diffusore:

Colore	Schema	Significato
Bianco	Spia sempre accesa	Il diffusore è acceso e connesso a una rete e/o a un dispositivo Bluetooth.
	Lampeggiamento lento	In pausa, premere play per riprendere la riproduzione.
	Spia lampeggiante	Avviamento.
Blu	Spia sempre accesa	Dispositivo Bluetooth collegato correttamente.
	Pulsante	Disponibile per l'abbinamento Bluetooth.
Ambra	Spia sempre accesa	Non connesso alla rete o al Bluetooth.
	Spia lampeggiante	Pronto per connettersi al Wi-Fi.
	Lampeggiamento lento	Ricarica del dispositivo sul caricabatterie Qi.
Verde	Spia sempre accesa	Il dispositivo agganciato al caricabatterie Qi è completamente carico.
	Lampeggiamento lento	Aggiornamento software: attendere fino a quando la luce diventa di nuovo bianca e fissa.
Rosso	Spia lampeggiante	Errore temporaneo (ad es. surriscaldamento o errore di ricarica di Qi).
	Spia sempre accesa	Errore statico: contattare l'assistenza clienti per ricevere supporto. È inoltre possibile contattare l'assistenza direttamente tramite l'app Bang & Olufsen.

## MICROFONO

Beosound A5 è dotato di microfoni integrati che sono utilizzati da RoomSense per ottimizzare l'audio del diffusore a seconda del suo posizionamento.

Se si desidera scollegare i microfoni, spostare l'interruttore [🔊] accanto alla porta di ricarica nella posizione più a sinistra (l'interruttore mostrerà il colore arancione). RoomSense non può essere configurato quando i microfoni sono scollegati.

## RIPRISTINO BEOSOUND A5

### **Modalità di configurazione Wi-Fi**

Per scollegare il Beosound A5 dalla rete Wi-Fi corrente e collegarlo a una nuova rete, tenere premuti simultaneamente i pulsanti [ $\leftarrow$   $\rightarrow$ ] per due secondi. La spia luminosa inizierà a lampeggiare in arancione, e il diffusore sarà pronto per essere connesso tramite l'app Bang & Olufsen.

Per annullare la configurazione Wi-Fi e riconnettersi alla rete precedente, tenere nuovamente premuti i pulsanti.

Nota: se Beosound A5 è attualmente associato in stereofonia, tenendo premuti i pulsanti si procederà alla disassociazione dei dispositivi. Una volta completato questo passaggio, tenere nuovamente premuti i pulsanti per accedere alla modalità di configurazione del Wi-Fi.

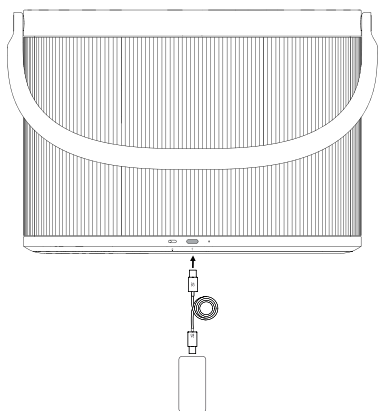
### **Ripristino dell'hardware**

Se Beosound A5 non risponde, tenere premuto il pulsante di accensione [ $\text{⏻}$ ] per 20 secondi per ripristinare il dispositivo e riavviarlo. Non si tratta di un ripristino delle impostazioni di fabbrica, in quanto le impostazioni che avrete immesso non verranno cancellate.

### **Ripristina impostazioni di fabbrica**

Per cancellare tutte le impostazioni e ripristinare le impostazioni predefinite di fabbrica di Beosound A5, tenere premuti contemporaneamente i pulsanti [ $\leftarrow$   $\rightarrow$ ] per 8 secondi. Una volta riavviato il diffusore e con la spia arancione che lampeggia, l'impianto è pronto per essere configurato nuovamente tramite l'app Bang & Olufsen.

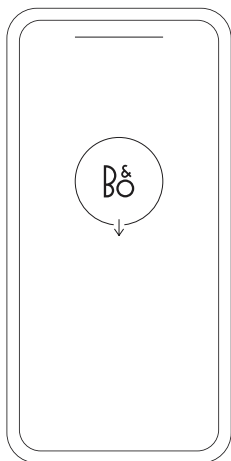
## COMEÇAR



Tire a sua nova Beosound A5 da caixa e ligue-a ao cabo. A bateria já está carregada, mas a coluna está no modo de armazenamento para ser preservada. Quando liga o cabo, a Beosound A5 é reativada e está pronta a ser configurada.

Comece a ouvir imediatamente e descarregue a aplicação Bang & Olufsen para explorar todas as funcionalidades e funções.

## TRANSFERIR A APLICAÇÃO BANG & OLUFSEN



Obtenha a experiência completa ao transferir a aplicação Bang & Olufsen.

Configure a sua nova Beosound A5 e torne-a sua. Atualize para as funções mais recentes, encontre o nível perfeito com o controlo de volume de precisão e ajuste o som a seu gosto com os Modos de Som Beosonic.

Pode também desfrutar de funcionalidades detalhadas como a comunidade de testadores beta e obter assistência remota, se precisar de ajuda.

## **Ligar ao Wi-Fi**

A maneira mais fácil de ligar a sua Beosound A5 ao Wi-Fi é através da aplicação Bang & Olufsen. Pode simplesmente transferir a aplicação e seguir as instruções no ecrã. Será configurada numa questão de minutos.

Se não quiser usar a aplicação, pode ainda ligar-se através das definições Wi-Fi no seu dispositivo (se estiver no iPhone ou iPad) ou através da aplicação Google Home.

## **A reproduzir o seu conteúdo**

Inicie a reprodução a partir da fonte à sua escolha e selecione Beosound A5 como coluna para ouvir. As seguintes funcionalidades de streaming estão disponíveis quando ligadas ao Wi-Fi:

- AirPlay 2
- Chromecast built-in
- Spotify Connect
- Tidal Connect
- QPlay
- DLNA
- Deezer (através da aplicação Bang & Olufsen)
- Rádio B&O (através da aplicação Bang & Olufsen)

Através do Wi-Fi, pode desfrutar da mais elevada qualidade de som sem interrupções – mesmo que receba uma chamada ou o seu dispositivo se desligue. Pode também ligar várias colunas numa experiência multiroom (consulte “Multiroom” para obter mais informações).

Além disso, pode transmitir através de Bluetooth. Consulte “Bluetooth” para obter mais informações.

## UTILIZAÇÃO DIÁRIA



Use os botões na parte superior da Beosound A5 para aceder às funções essenciais:

Símbolo	Função
⏻	Prima para ligar a coluna. Prima continuamente durante dois segundos para desligar.
⌘	Prima continuamente durante dois segundos para emparelhar com dispositivos Bluetooth. Consulte "Bluetooth" para obter mais informações.
-+	Prima para aumentar ou diminuir o volume.
▶	Prima para reproduzir ou colocar o conteúdo em pausa. Prima continuamente durante dois segundos para aderir a uma experiência Multiroom Beolink. Consulte "Multiroom" para obter mais informações.
<>	Prima para avançar músicas ou estações.
○, ○○, ○○○, ○○○○	Quatro Botões Favoritos fornecem acesso com um toque a estações de rádio ou listas de reprodução. Consulte "Favoritos" para obter mais informações.

Outras funcionalidades no painel superior da Beosound A5 são:

A	Luz indicadora, que apresenta o estado do produto. Consulte "Luz indicadora de estado" para obter mais informações.
B	Carregador Qi. Consulte "Carregamento Qi" para obter mais informações.
C	Microfones integrados (3).

## **Bluetooth**

É necessária uma ligação à rede para usar as funcionalidades completas da Beosound A5, mas pode ouvir em qualquer lugar com o Bluetooth.

Para emparelhar um novo dispositivo, prima continuamente o botão Bluetooth durante dois segundos. Quando a luz começar a pulsar azul, aceda às definições do Bluetooth no seu dispositivo e selecione Beosound A5.

Para ligar ao último dispositivo Bluetooth usado, prima o botão Bluetooth brevemente.

## **Favourites**

Obtenha acesso instantâneo ao seu conteúdo favorito com os quatro botões favoritos. Um único toque fará com que ouça imediatamente.

Os botões vêm pré-preenchidos com as estações de rádio mais populares na sua área e podem ser facilmente configurados para o que quiser: outras estações através da rádio B&O ou listas de reprodução através de Spotify Connect e Deezer.

Para guardar um favorito, comece a ouvir rádio ou uma lista de reprodução no seu dispositivo. De seguida, prima continuamente o Botão Favorito selecionado durante dois segundos. Um som será reproduzido para confirmar que a sua escolha está guardada.

Uma vez guardado, ao premir brevemente o Botão Favorito, o seu conteúdo favorito será reproduzido imediatamente.



## MULTIROOM



Faça a casa inteira unir-se numa música. A Beosound A5 pode ligar-se a outras colunas num sistema multiroom e permitir que várias colunas em toda a sua casa reproduzam o mesmo conteúdo em simultâneo. Pode desfrutar do multiroom de várias formas diferentes:

### **BeoLink Multiroom**

Beolink é o próprio sistema multiroom da Bang & Olufsen. Pode distribuir qualquer coisa em reprodução na sua Beosound A5 para outras colunas e televisores Bang & Olufsen na mesma rede.

Para usar o Beolink Multiroom, comece a reprodução numa coluna e depois prima continuamente [>||] noutra coluna (durante dois segundos) para as juntar — tudo sem recurso a um smartphone. Pode também usar a aplicação Bang & Olufsen para ver quais os produtos que estão a ser reproduzidos e adicionar mais à experiência em curso sem ir até eles.

Nota: Para utilizar o Beolink Multiroom e o AirPlay em conjunto, abra a aplicação Bang & Olufsen e aceda às Definições do Produto -> Beolink Multiroom -> Ativar o AirPlay.

Nota: o Beolink Multiroom não pode ser usado em conjunto com o Chromecast integrado.

## **Apple AirPlay**

Para criar uma experiência multiroom com o AirPlay, selecione várias colunas a partir do menu de saída de som no seu dispositivo Apple. A Beosound A5 pode também reproduzir em conjunto com colunas de outras marcas que suportem o AirPlay 2.

## **Chromecast built-in**

Ao transmitir conteúdo para as suas colunas através do Chromecast, pode usar a aplicação Google Home no seu smartphone para agrupar colunas a reproduzirem em conjunto. Na aplicação, selecione Multimédia e escolha as colunas para adicionar à experiência.

## PERSONALIZAR O SEU SOM

Ajuste o som e tire o máximo de partido da sua Beosound A5 na aplicação Bang & Olufsen.

### Modos de som

Com os modos de som, pode seleccionar o som a seu gosto e ocasião. Escolha entre os modos de som incluídos ou crie o seu próprio com o Beosonic.

Os modos de som personalizados podem ser guardados para mais tarde a partir do Beosonic e ativados com um toque. Ao guardar um modo de som, este memoriza as definições de direcção Beosonic e de som.

Para reordenar ou eliminar os Modos de Som, prima [☰] junto aos botões do modo de som.



### Beosonic

Prima [☉] para ajustar o som com Beosonic. Mova o ponto para encontrar o seu som geral preferido. Afaste ou aproxime com dois dedos para alterar a imersão.

### Diretividade do som

Escolha entre dois modos de diretividade diferentes, consoante a situação:

Frente direciona o som para os ouvintes em frente da coluna. Isto é ideal quando a coluna é colocado contra uma parede.

Omni cria um campo de som uniforme ao redor da coluna, perfeito para o parque ou um piquenique com ouvintes em volta.

### RoomSense

Com a Beosound A5 pode usar o RoomSense, compensação da divisão proprietária da Bang & Olufsen. Este otimiza o som conforme o posicionamento da coluna na sala.

Ative RoomSense na aplicação Bang & Olufsen em Definições de Som. Os microfones na Beosound A5 devem ser ligados enquanto o RoomSense estiver a ser executado.

## EMPARELHAMENTO ESTÉREO



Ligue duas Beosound A5 como um emparelhamento para uma experiência estéreo completa e flexível. O emparelhamento estéreo está disponível quando ambas as colunas foram configuradas na aplicação Bang & Olufsen com a mesma conta e estão ligadas à mesma rede.

### **Emparelhamento estéreo com a aplicação Bang & Olufsen**

Na aplicação, selecione a sua coluna, Definições de som -> Criar emparelhamento estéreo. De seguida, escolha a outra coluna para o seu emparelhamento estéreo.

### **Separar um emparelhamento**

Para separar um emparelhamento e usar as colunas individualmente, pode premir continuamente os botões [ $\leftarrow$ ] em simultâneo durante dois segundos em qualquer coluna ou aceder às Definições de som na aplicação Bang & Olufsen.

## DURAÇÃO DA BATERIA E CARREGAMENTO



Com a bateria integrada, a Beosound A5 pode reproduzir mais do que 12 horas a níveis de audição típicos e até 4 horas a um volume máximo.

Quando a Beosound A5 não estiver ligada ao interruptor, a luz junto à porta de carregamento apresentará brevemente a duração restante da bateria quando a ligar:

Cor	Padrão	Significado
Green	Aceso	Resta mais de 40% da duração da bateria.
Âmbar	Aceso	Resta menos de 40% da duração da bateria.
Vermelho	Aceso	Resta menos de 10% da duração da bateria.
	A Piscar	Resta menos de 1% da duração da bateria. A coluna irá desligar-se, a menos que seja ligada ao interruptor.

Com 10% e 1%, também ouvirá um som de notificação.

Carregue a Beosound A5 com o adaptador de energia USB-C incluído. Ligue-o à porta de carregamento na parte traseira da coluna. A luz ao lado da porta de carregamento indicará o estado do carregamento:

Cor	Padrão	Significado
Âmbar	Pulsação lenta	A carregar.
Green	Aceso	Totalmente carregado. A luz será desligada após cinco minutos.

## **Suspensão e armazenamento**

Com uma bateria totalmente carregada, a Beosound A5 pode permanecer em modo de suspensão até 10 dias antes de precisar de ser novamente carregada. Durante este tempo, será reativada instantaneamente ao premir o botão de energia.

Se planeia não usar a Beosound A5 por um longo período de tempo, pode ativar o modo de armazenamento para preservar bateria. Quando a coluna estiver ligada, prima continuamente o botão de energia durante oito segundos. Irá ouvir outro som para confirmar o modo de armazenamento.

Nota: Para voltar a ligar a coluna do modo de armazenamento, tem de a ligar ao interruptor com um cabo.

## CARREGAMENTO QI



Pode carregar smartphones e outros dispositivos compatíveis com Qi além da sua Beosound A5. Coloque o dispositivo no círculo pontilhado ou em cima do mesmo para começar a carregar.

O indicador de luz mostrará o estado de carregamento do dispositivo:

Cor	Padrão	Significado
Âmbar	Pulsação lenta	A carregar.
Green	Aceso	Totalmente carregado.
Vermelho	A Piscar	Erro, por exemplo, objetos externos detetados no pad. Retire o dispositivo e possíveis obstruções e tente novamente.

Nota: carregar outros dispositivos enquanto a Beosound A5 não está ligada reduzirá o tempo de reprodução da bateria. Pode desligar a função de carregamento Qi na aplicação Bang & Olufsen.

## LUZ INDICADORA DE ESTADO



O indicador de luz está localizado na parte superior da Beosound A5, junto ao botão de energia, e mostra o estado da coluna:

Cor	Padrão	Significado
branco	Aceso	A coluna está ativa e ligada a uma rede e/ou a um dispositivo Bluetooth.
	Pulsação lenta	Em pausa, prima reproduzir para retomar a reprodução.
	A Piscar	A iniciar.
Blue	Aceso	Dispositivo bluetooth ligado com sucesso.
	A pulsar	Abrir para emparelhamento por Bluetooth.
Âmbar	Aceso	Não está ligado à rede ou Bluetooth.
	A Piscar	Pronto para ligar à Wi-Fi.
	Pulsação lenta	Carregamento do dispositivo no carregador Qi.
Green	Aceso	O dispositivo no carregador Qi está totalmente carregado.
	Pulsação lenta	Atualização do software - espere até que a luz volte a ficar branca constante.
Vermelho	A Piscar	Erro temporário (por exemplo, sobreaquecimento ou erro de carregamento Qi).
	Aceso	Erro estático — Entre em contato com o suporte para obter assistência. Pode também obter suporte através da aplicação Bang & Olufsen.



## MICROFONE

A Beosound A5 possui microfones integrados que são utilizados pelo RoomSense para otimizar o som da coluna ao seu posicionamento.

Se pretender desligar os microfones, mova o interruptor de deslize [🔊] para junto da porta de carregamento para a posição mais à esquerda (o interruptor apresentará a cor de laranja). O RoomSense não pode ser configurado quando os microfones estão desligados.

## REPOR BEOSOUND A5

### **Modo de configuração Wi-Fi**

Para desligar a Beosound A5 da rede Wi-Fi atual e ligá-la a uma nova, prima continuamente [< >] os botões em simultâneo durante dois segundos. A luz indicadora começará a piscar a cor de laranja e a coluna estará pronta a ser ligada através da aplicação Bang & Olufsen.

Para cancelar a configuração do Wi-Fi e ligar-se novamente à rede anterior, volte a pressionar continuamente os botões.

Nota: Se a sua Beosound A5 estiver atualmente emparelhada para estéreo, pressionar continuamente os botões irá separar o emparelhamento. Assim que o emparelhamento estéreo estiver separado, volte a premir continuamente os botões para entrar no modo de configuração Wi-Fi.

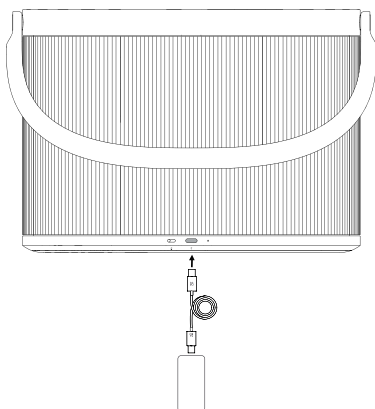
### **Reposição do hardware**

Se a sua Beosound A5 deixar de responder, prima continuamente o botão de alimentação [⏻] durante 20 segundos para repor o hardware e reiniciar o produto. Esta não é uma factory reset – as suas definições não serão apagadas.

### **Restaurar definições de fábrica**

Para apagar todas as definições e repor a Beosound A5 para as definições de fábrica, prima continuamente [< >] os botões em simultâneo durante 8 segundos. Assim que a coluna for reiniciada e o indicador de luz piscar a cor de laranja, está pronta para voltar a ser configurada através da aplicação Bang & Olufsen.

## ПЕРЕД НАЧАЛОМ РАБОТЫ

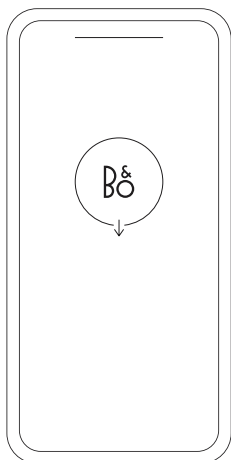


Достаньте устройство Beosound A5 из коробки и подключите кабель.

Аккумулятор уже заряжен, но колонки находятся в режиме хранения, чтобы сохранить заряд. Когда вы подключите кабель, Beosound A5 активируется и будет готов к настройке.

Начните прослушивание прямо сейчас и загрузите приложение Bang & Olufsen, чтобы изучить все возможности и функции.

## ЗАГРУЗИТЬ ПРИЛОЖЕНИЕ BANG & OLUFSEN



Скачайте приложение Bang& Olufsen для доступа ко всем возможностям.

Настройте свое новое устройство Veosound A5 и сделайте его индивидуальным. Получите доступ к новейшим функциям, найдите идеальный баланс с помощью точной регулировки громкости и настройте звук по своему вкусу с помощью звуковых режимов Veosonic.

Вы также можете использовать расширенные функции, такие как сообщество бета-тестировщиков, и получить удаленную поддержку, если вам понадобится помощь.

## **Подключение к Wi-Fi**

Самый простой способ подключить Beosound A5 к Wi-Fi — сделать это через приложение Bang & Olufsen. Просто загрузите приложение и следуйте инструкциям на экране. Настройка будет выполнена за считанные минуты.

Если вы не хотите использовать приложение, вы все равно можете подключиться через настройки Wi-Fi на своем устройстве (если вы используете iPhone или iPad) или через приложение Google Home.

## **Воспроизведение контента**

Начните воспроизведение с выбранного источника и выберите Beosound A5 в качестве колонки. При подключении к Wi-Fi доступны следующие функции потоковой передачи:

- AirPlay 2
- Chromecast built-in
- Spotify Connect
- Tidal
- Qplay
- DLNA
- Deezer (через приложение Bang & Olufsen)
- Радио B&O Radio (через приложение Bang & Olufsen)

При подключении по Wi-Fi вы можете наслаждаться высочайшим качеством звука без сбоев, даже если вам позвонят или ваше устройство отключится. Можно также подключить несколько колонок в режиме Multiroom (подробнее см. раздел «Режим Multiroom»).

Кроме того, вы можете выполнять трансляции через Bluetooth. Дополнительные сведения см. в разделе «Bluetooth».

## ПОВСЕДНЕВНОЕ ИСПОЛЬЗОВАНИЕ



Используйте кнопки в верхней части Beosound A5 для быстрого доступа к основным функциям:

Символ	Функция
⏻	Нажмите, чтобы включить колонку. Нажмите и удерживайте в течение двух секунд, чтобы выключить.
✳	Нажмите и удерживайте в течение двух секунд для сопряжения с устройствами Bluetooth. Дополнительные сведения см. в разделе «Bluetooth».
–+	Нажмите, чтобы увеличить или уменьшить громкость.
⏮	Нажмите, чтобы воспроизвести или приостановить воспроизведение контента. Нажмите и удерживайте в течение двух секунд, чтобы присоединиться к Beolink Multiroom. Дополнительные сведения см. в разделе «Режим Multiroom».
<>	Нажмите, чтобы пропустить трек или станцию.
○, ○○, ○○○, ○○○○	Четыре кнопки «Избранное» обеспечивают доступ к радиостанциям или плейлистам в одно касание. Дополнительные сведения см. в разделе «Избранное».

Другие функции на верхней панели Beosound A5:

A	Индикатор, показывающий состояние продукта. Дополнительную информацию см. в разделе «Индикатор состояния».
B	Зарядное устройство Qi. Дополнительные сведения см. в разделе «Зарядка Qi».
C	Встроенные микрофоны (3).

## **Bluetooth**

Для использования всех функций Beosound A5 требуется подключение к сети, но с помощью Bluetooth вы можете выполнять прослушивание где угодно.

Чтобы подключить новое устройство, нажмите и удерживайте кнопку Bluetooth в течение двух секунд. Когда индикатор начнет мигать синим цветом, перейдите к настройкам Bluetooth на вашем устройстве и выберите Beosound A5.

Чтобы подключиться к последнему используемому устройству Bluetooth, кратко нажмите кнопку Bluetooth.

## **Избранное**

Получайте мгновенный доступ к любимому контенту с помощью четырех кнопок избранного. При их нажатии воспроизведение начнется сразу же.

Для кнопок предварительно сохранены самые популярные радиостанции в вашем регионе, но их можно легко настроить. Вы можете установить любые станции радио B&O Radio или плейлисты Spotify и Deezer.

Чтобы сохранить избранное, начните воспроизведение радио или плейлиста на устройстве. Затем нажмите и удерживайте выбранную кнопку «Избранное» в течение двух секунд. Прозвучит звуковой сигнал, подтверждающий сохранение.

После сохранения короткое нажатие на кнопку «Избранное» немедленно начнет воспроизведение контента.

## MULTIROOM



Пусть все устройства звучат в унисон! Beosound A5 может подключаться к другим колонкам в системе мультирум и позволяет им воспроизводить один и тот же контент одновременно. Вы можете использовать эту функцию несколькими способами:

### **BeoLink Multiroom**

BeoLink — это собственная мультирум-система Bang & Olufsen. Она может транслировать все, что играет на вашем Beosound A5, на другие колонки Bang & Olufsen и телевизоры в той же сети.

Чтобы использовать BeoLink Multiroom, просто начните воспроизведение на одной колонке, а затем нажмите и удерживайте [▶|] на другой колонке (в течение двух секунд) — и все это без смартфона. Вы также можете использовать приложение Bang & Olufsen, чтобы просмотреть, какие устройства используются, и удаленно добавить к ним другие.

Примечание. Для совместного использования BeoLink Multiroom и AirPlay сначала откройте приложение Bang & Olufsen и перейдите в Настройки продукта -> BeoLink Multiroom -> Включить AirPlay.

Примечание. BeoLink Multiroom нельзя использовать вместе со встроенной технологией Chromecast.



## **Apple AirPlay**

Чтобы настроить мультирум с помощью AirPlay, выберите несколько колонок в меню вывода звука на устройстве Apple. Beosound A5 также может работать вместе с колонками других брендов, поддерживающих AirPlay 2.

## **Chromecast built-in**

При трансляции контента на колонки через Chromecast вы можете использовать приложение Google Home на своем смартфоне, чтобы группировать колонки для совместного воспроизведения. В приложении нажмите «Медиа» и выберите колонки, которые хотите добавить.

## НАСТРОЙТЕ ЗВУК ПО-СВОЕМУ

Отрегулируйте звук и получите максимум от Beosound A5 в приложении Bang & Olufsen.

### Звуковые режимы

С помощью звуковых режимов вы можете настроить звук по своему вкусу и для любого случая. Используйте прилагаемые звуковые режимы или создавайте свои с помощью Beosonic.

Пользовательские звуковые режимы можно сохранить на Beosonic и активировать позже одним касанием. Когда вы сохраняете звуковой режим, он запоминает настройки Beosonic и направления звука.

Чтобы изменить порядок или удалить звуковые режимы, нажмите [☰] рядом с кнопками звукового режима.



### Beosonic

Нажмите [☉], чтобы настроить звук с помощью Beosonic. Переместите точку, чтобы найти предпочитаемый общий звук. Разведите или сведите два пальца, чтобы изменить степень эффекта погружения.

### Направление звука

Выберите один из двух режимов направленности в зависимости от ситуации:

Передненаправленный направляет звук впереди колонок. Это оптимальный режим, если колонки расположены у стены.

Всенаправленный создает равномерное звуковое поле вокруг колонок, что идеально подходит, чтобы слушать музыку в парке или на пикнике.



### RoomSense

С Beosound A5 вы можете использовать RoomSense, запатентованную технологию компенсации помещения от Bang & Olufsen. Она оптимизирует звук в соответствии с расположением колонок в комнате.

Активируйте RoomSense в приложении Bang & Olufsen в настройках звука. Микрофоны в Beosound A5 должны быть включены во время работы RoomSense.

## СТЕРЕОСОПРЯЖЕНИЕ



Выполните сопряжение двух устройств Beosound A5 для полноценного и гибкого стереовоспроизведения. Стереосопряжение доступно, когда обе колонки настроены в приложении Bang & Olufsen с одной учетной записью и подключены к одной сети.

### **Стереосопряжение с помощью приложения Bang & Olufsen**

В приложении выберите колонки, затем Настройки звука -> Создать стереопару. Затем выберите другую колонку для стереопары.

### **Отмена сопряжения**

Чтобы отменить сопряжение и использовать колонки по отдельности, одновременно нажмите и удерживайте кнопки [ $<$   $>$ ] в течение двух секунд на одной колонке или перейдите к настройкам звука в приложении Bang & Olufsen.

## СРОК СЛУЖБЫ БАТАРЕИ И ЗАРЯДКА



Благодаря встроенной батарее Beosound A5 может работать более 12 часов при стандартных уровнях прослушивания и до 4 часов на максимальной громкости.

Если устройство Beosound A5 не подключено к источнику питания, то при включении индикатор рядом с зарядным портом кратковременно покажет оставшийся заряд батареи:

Цвет	Индикатор	Значение
зеленый	Светится постоянно	Осталось более 40% заряда батареи.
Оранжевый	Светится постоянно	Осталось менее 40% заряда батареи.
Красный	Светится постоянно	Осталось менее 10% заряда батареи.
	Мигает	Осталось менее 1% заряда батареи. Если колонка не подключена к источнику питания, то она выключится.

При уровне в 10% и 1% вы также услышите звуковое уведомление.

Зарядите Beosound A5 с помощью прилагаемого адаптера питания USB-C. Подключите его к порту зарядки на задней панели колонки. Индикатор рядом с портом зарядки покажет состояние зарядки:

Цвет	Индикатор	Значение
Оранжевый	Медленно мигает	Заряжается.
зеленый	Светится постоянно	Полностью заряжено. Индикатор погаснет через пять минут.

### **Спящий режим и хранение**

С полностью заряженной батареей Beosound A5 может находиться в спящем режиме до 10 дней, прежде чем потребуются повторная зарядка. В это время устройство можно мгновенно активировать, нажав кнопку питания.

Если вы не планируете использовать Beosound A5 в течение длительного времени, можно активировать режим хранения для сохранения заряда батареи. При включении колонки нажмите и удерживайте кнопку питания в течение восьми секунд. Вы услышите звуковой сигнал, подтверждающий переход в режим хранения.

Примечание. Чтобы вывести колонку из режима хранения, необходимо подключить ее к питанию с помощью кабеля.

## ЗАРЯДКА Qi



Вы можете заряжать смартфоны и другие совместимые с Qi устройства, положив их на Beosound A5. Поместите устройство в пунктирный круг или на него, чтобы начать зарядку.

Индикатор покажет состояние зарядки устройства:

Цвет	Индикатор	Значение
Оранжевый	Медленно мигает	Заряжается.
зеленый	Светится постоянно	Полностью заряжено.
Красный	Мигает	Ошибка, например, посторонние предметы на панели. Удалите устройство и посторонние предметы, а затем повторите попытку.

Примечание. Зарядка других устройств, когда Beosound A5 не подключен к сети, сократит время работы аккумулятора. Вы можете отключить функцию зарядки Qi в приложении Bang & Olufsen.

## СВЕТОВОЙ ИНДИКАТОР СОСТОЯНИЯ



Световой индикатор расположен в верхней части BeoSound A5 рядом с кнопкой питания и показывает состояние колонки:

Цвет	Индикатор	Значение
Белый	Светится постоянно	Колонка включена и подключена к сети и/или устройству Bluetooth.
	Медленно мигает	Воспроизведение приостановлено. Нажмите кнопку воспроизведения, чтобы возобновить его.
	Мигает	Запуск.
синий	Светится постоянно	Устройство Bluetooth успешно подключено.
	Пульсирует	Готово к сопряжению по Bluetooth.
Оранжевый	Светится постоянно	Не подключено к сети или Bluetooth.
	Мигает	Готово к подключению по Wi-Fi.
	Медленно мигает	Зарядка устройства с помощью Qi.
зеленый	Светится постоянно	Устройство на зарядном устройстве Qi полностью заряжено.
	Медленно мигает	Обновление программного обеспечения. Дождитесь, когда индикатор снова начнет непрерывно гореть белым.
Красный	Мигает	Временная ошибка (например, перегрев или ошибка зарядки Qi).
	Светится постоянно	Статическая ошибка. Обратитесь в службу поддержки. Вы также можете получить поддержку через приложение Bang & Olufsen.

## МИКРОФОН

Beosound A5 имеет встроенные микрофоны, которые используются RoomSense для оптимизации звука колонки в соответствии с ее размещением.

Если вы хотите отсоединить микрофоны, переместите ползунковый переключатель [🔊] рядом с портом зарядки в крайнее левое положение (переключатель станет оранжевым). RoomSense не может быть настроен, если микрофоны отсоединены.



## СБРОС BEOSOUND A5

### Режим настройки Wi-Fi

Чтобы отключить BeoSound A5 от текущей сети Wi-Fi и подключить ее к другой сети, нажмите и удерживайте кнопки [ $\leftarrow$   $\rightarrow$ ] одновременно в течение двух секунд. Индикатор начнет мигать оранжевым цветом, а колонка будет готова к подключению через приложение Bang & Olufsen.

Чтобы отменить настройку Wi-Fi и опять подключиться к предыдущей сети, снова нажмите и удерживайте кнопки.

Примечание. Если ваше устройство Beosound A5 имеет стереопару, нажатие и удержание кнопок приведет к удалению сопряжения. После удаления стересопряжения снова нажмите и удерживайте кнопки, чтобы войти в режим настройки Wi-Fi.

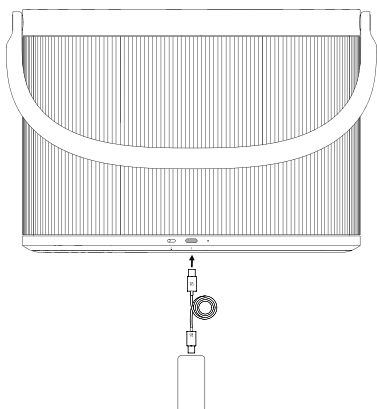
### Аппаратный сброс

Если устройство Beosound A5 не реагирует на нажатия, нажмите и удерживайте кнопку питания [ $\text{⏻}$ ] в течение 20 секунд, чтобы сбросить аппаратные настройки и перезапустить устройство. Это не заводской сброс — ваши настройки не будут удалены.

### Восстановить заводские настройки

Чтобы сбросить BeoSound A5 до заводских настроек, нажмите и удерживайте кнопки [ $\leftarrow$   $\rightarrow$ ] одновременно в течение пяти секунд. Колонка будет перезагружена, а индикатор начнет мигать оранжевым. Теперь можно начать настройку заново с помощью приложения Bang & Olufsen.

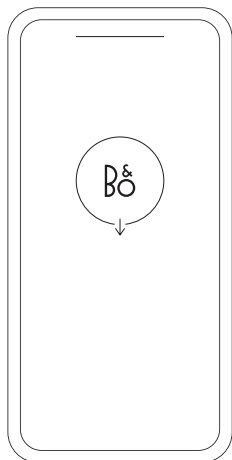
## スタートアップガイド



新しいBeosound A5を箱から取り出して、ケーブルを接続します。バッテリーはすでに充電されていますが、スピーカーはストレージモードになっています。ケーブルを差し込むと、Beosound A5が起動し、セットアップの準備が整います。

すぐに音楽を聴いて、Bang & Olufsenアプリをダウンロードして、すべての機能をお試しください。

## BANG & OLUFSENアプリをダウンロード



すべてを体験するには、Bang & Olufsenアプリをダウンロードしてください。

新しいBeosound A5をセットアップして、自分だけのものにしましょう。最新の機能にアップデートし、精密なボリュームコントロールで完璧なレベルを見つけ、Beosonicサウンドモードでお好みに合わせてサウンドを調整しましょう。

ベータ版テスターコミュニティなどの詳細な機能を確認し、サポートが必要な場合はリモートサポートを受けることもできます。

## Wi-Fiに接続する

Beosound A5をWi-Fiに接続するには、Bang & Olufsenアプリを使う方法が一番簡単です。アプリをダウンロードし、画面の指示に従って操作するだけです。セットアップは数分で完了します。

アプリを使用しない場合でも、デバイスのWi-Fi設定 (iPhone または iPad を使用している場合) またはGoogle Homeアプリから接続できます。

## コンテンツを再生する

選択したソースから再生を開始し、Beosound A5をスピーカーとして選択して聴くことができます。Wi-Fiに接続すると、次のストリーミング機能を利用できます。

- AirPlay 2
- Chromecast built-in
- Spotify Connect
- Tidal Connect
- QPlay
- DLNA
- Deezer (Bang & Olufsenアプリ経由)
- B&O Radio (Bang & Olufsenアプリ経由)

Wi-Fiでは、電話がかかってきたりデバイスが切断されたりしても、途切れることなく最高の音質を楽しむことができます。マルチルーム体験で複数のスピーカーを接続することもできます (詳細については、「Multiroom」を参照してください)。

さらに、Bluetooth経由でストリーミングすることもできます。詳細については、「Bluetooth」を参照してください。

## 基本的な操作



Beosound A5の上部にあるボタンを使用すると、重要な機能にすばやくアクセスできます。

記号	機能
⏻	スピーカーをオンにします。 2秒間長押しすると、電源がオフになります。
✳	2秒間長押しして、Bluetoothデバイスとペアリングします。詳細については、「Bluetooth」を参照してください。
-+	音量を上げたり下げたりします。
▶	コンテンツを再生または一時停止します。 2秒間長押しすると、Beolink Multiroom体験に参加できます。詳細については、「Multiroom」を参照してください。
<>	曲やステーションをスキップします。
○, ○○, ○○○, ○○○○	4つのお気に入りボタンで、ラジオ局やプレイリストにワンタッチでアクセスできます。詳細については、「お気に入り」を参照してください。

Beosound A5トップパネルのその他の機能は次のとおりです。

A	製品の状態を示すインジケータライト。詳細については、「ステータスインジケータライト」を参照してください。
B	Qiチャージャー。詳細については、「Qiチャージ」を参照してください。
C	内蔵マイク (3)。

## Bluetooth

Beosound A5の全機能を使用するにはネットワーク接続が必要ですが、Bluetoothでどこでも聴くことができます。

新しいデバイスをペアリングするには、Bluetoothボタンを2秒間長押しします。ライトが青く点滅し始めたら、デバイスのBluetooth設定に移動し、Beosound A5を選択します。

最後に使用したBluetoothデバイスに接続するには、Bluetoothボタンを短く押しします。

## お気に入り

4つのお気に入りボタンを使用して、お気に入りのコンテンツにすぐにアクセスできます。1回押すだけですぐに聴くことができます。

ボタンには、お住まいの地域で人気のあるラジオ局があらかじめ登録されており、B&O Radioを介した他の局や、Spotify Connect、Deezerを介したプレイリストなどを、必要に応じて簡単に構成できます。

お気に入りを保存するには、デバイスでラジオまたはプレイリストの再生を開始します。次に、選択したお気に入りボタンを2秒間長押しします。選択内容が保存されたことを確認するサウンドが再生されます。

保存したら、お気に入りボタンを短く押すと、お気に入りのコンテンツの再生がすぐに開始されます。

## MULTIROOM



家中のどこでも歌を流しましょう。Beosound A5をマルチルームシステムの他のスピーカーに接続すると、家中の複数のスピーカーで同じコンテンツを同時に再生できます。Multiroomは、複数の方法でお楽しみいただけます。

### BeoLink Multiroom

BeolinkはBang & Olufsen独自のマルチルームシステムです。Beosound A5で再生しているものを、同じネットワーク上にある他のBang & Olufsenのスピーカーやテレビに配信することができます。

Beolink Multiroomを使用するには、1つのスピーカーで再生を開始し、別のスピーカーの [▶] を長押し (2秒間) して参加します - すべてスマートフォンなしで使用できます。また、Bang & Olufsenのアプリを使えば、確認しに行かなくてもどの製品が再生されているかを確認し、さらに細かな再生設定を行うことができます。

注: Beolink MultiroomとAirPlayを一緒に使用するには、まずBang & Olufsenアプリを開き、[製品設定] -> [Beolink Multiroom] -> [AirPlayを有効にする] に移動します。

注: Beolink MultiroomはChromecast built-inと一緒に使用することはできません。

## **Apple AirPlay**

AirPlayでマルチルーム体験を作成するには、Appleデバイスのサウンド出力メニューから複数のスピーカーを選択します。Beosound A5は、AirPlay 2をサポートする他のブランドのスピーカーと一緒に再生することもできます。

## **Chromecast built-in**

Chromecastを介してコンテンツをスピーカーにキャストする場合、スマートフォンのGoogle Homeアプリを使って、スピーカーをグループ化して一緒に再生できます。アプリで [メディア] を選択し、体験に追加するスピーカーを選択します。



## サウンドをカスタマイズする

Bang & Olufsenアプリでサウンドを調整し、Beosound A5を最大限に活用しましょう。

### サウンドモード

サウンドモードを使えば、好みやシーンに合わせてサウンドを調整することができます。付属のサウンドモードから選ぶか、Beosonicで独自のサウンドモードを作成することができます。

カスタマイズしたサウンドモードは、Beosonicで保存すると、ワンタッチで起動することができます。サウンドモードを保存すると、Beosonicとサウンドの指向性の両方の設定が記憶されます。

サウンドモードの並び替えや削除を行うには、サウンドモードボタンの横にある [≡] を押してください。



### Beosonic

[⊙] を押して、Beosonicでサウンドを調整します。ドットを動かして、お好みのサウンドを見つけ、2本の指で広げたりつまんだりして、没入感を変えてみましょう。

### サウンドの指向性

状況に応じて、2種類の指向性モードから選択します。Frontは、スピーカーの前方にいるリスナーに音を届けます。これは、スピーカーが壁に立てかけられている場合に理想的です。

Omniは、スピーカーの周囲に均一なサウンドフィールドを作り出します。公園やピクニックなど、あちこちにリスナーがいるような場所に最適です。

### RoomSense

Beosound A5では、Bang & Olufsen独自のルーム補正であるRoomSenseを使用することができます。部屋の中でのスピーカーの配置に合わせて、音を最適化します。

Bang & Olufsenアプリの [サウンド設定] でRoomSenseを有効にします。RoomSenseの実行中は、Beosound A5のマイクをオンにする必要があります。



## ステレオペアリング



2台のBeosound A5をペアで接続すれば、完全に柔軟なステレオ体験が得られます。ステレオペアリングは、Bang & Olufsenアプリで両方のスピーカーを同じアカウントでセットアップし、同じネットワークに接続している場合に使用できます。

### **Bang & Olufsenアプリを使用したステレオペアリング**

アプリでスピーカーを選択し、[サウンド設定] -> [ステレオペアを作成] を選択します。次に、ステレオペアのもう一方のスピーカーを選びます。

### **ペアリングを解除する**

ペアリングを解除して個別に使用するには、どちらかのスピーカーで[<>] ボタンを同時に2秒間長押しするか、Bang & Olufsenアプリでサウンド設定に進みます。

## バッテリー寿命と充電



内蔵バッテリーにより、Beosound A5は通常のリスニングレベルで12時間以上、最大音量で最大4時間再生できます。

Beosound A5が電源に接続されていない場合、電源を入れると、充電ポートの横にあるライトにバッテリー残量が短時間表示されます。

カラー	パターン	意味
緑	点灯	バッテリー残量が40%以上。
黄色	点灯	バッテリー残量が40%未満。
RED	点灯	バッテリー残量が10%未満。
	点滅	バッテリー残量が1%未満。電源に接続しない限り、スピーカーはオフになります。

10%と1%では、通知音も聞こえます。

付属のUSB-C電源アダプターでBeosound A5を充電してください。スピーカー背面の充電ポートに接続します。充電ポートの横にあるライトは、充電状態を示します。

カラー	パターン	意味
黄色	低速点滅	充電中です。
緑	点灯	充電が完了しました。ライトは5分後に消灯します。

## スリープとストレージ

バッテリーをフル充電すると、Beosound A5は最長10日間スリープモードになり、その後再度充電する必要があります。この間は、電源ボタンを押すとすぐに起動します。

Beosound A5を長期間使用しない場合は、ストレージモードを有効にしてバッテリーを節約できます。スピーカーの電源が入った状態で、電源ボタンを8秒間長押しします。ストレージモードを確認するサウンドがもう1回鳴ります。

注: スピーカーをストレージモードからオンに戻すには、ケーブルでスピーカーを電源に接続する必要があります。

## Qi充電



Beosound A5の上で、スマートフォンやその他のQi対応デバイスを充電できます。デバイスを点線の円の中または上に置いて、充電を開始します。

ライトインジケータは、デバイスの充電状態を示します。

カラー	パターン	意味
黄色	低速点滅	充電中です。
緑	点灯	充電が完了しました。
RED	点滅	エラー。例:パッド上に異物が検出されました。デバイスとの間にある異物を取り除いてから、再試行してください。

注: Beosound A5が接続されていないときに他のデバイスを充電すると、バッテリーの再生時間が短くなります。Bang & OlufsenアプリでQi充電機能をオフにすることができます。

## ステータスインジケータライト



ライトインジケータはBeosound A5の上部、電源ボタンの横にあり、スピーカーの状態を示します。

カラー	パターン	意味
White	点灯	スピーカーの電源が入っていて、ネットワークやBluetoothデバイスに接続されています。
	低速点滅	一時停止しています。再生ボタンを押すと、再生が再開されます。
	点滅	起動中です。
Blue	点灯	Bluetoothデバイスが正常に接続されました。
	点滅	Bluetoothのペアリングが可能です。
黄色	点灯	ネットワークまたはBluetoothに接続されていません。
	点滅	Wi-Fiに接続する準備ができました。
	低速点滅	Qiチャージャー上でデバイスを充電しています。
緑	点灯	Qiチャージャー上のデバイスの充電が完了しています。
	低速点滅	ソフトウェアの更新中 - ランプが再び白色に点灯するまでお待ちください。
RED	点滅	一時的なエラー (例:過熱またはQiチャージエラー)。
	点灯	静的エラー - サポートにお問い合わせください。Bang & Olufsenアプリからサポートを受けることもできます。

## マイクロフォン

Beosound A5にはマイクが内蔵されており、RoomSenseがスピーカーの設置場所に合わせて音を最適化するために使用します。

マイクを切断したい場合は、充電ポートの横にあるスライダースイッチ [M] を一番左の位置に移動します (スイッチはオレンジ色で表示されます)。マイクが切断されていると、RoomSenseはセットアップできません。

## BEOSOUND A5のリセット

### Wi-Fiセットアップモード

Beosound A5を現在のWi-Fiネットワークから切断して新しいネットワークに接続するには、[<>] ボタンを同時に2秒間長押しします。インジケータライトがオレンジ色に点滅し始め、スピーカーをBang & Olufsenアプリ経由で接続できる状態になります。

Wi-Fiセットアップをキャンセルして以前のネットワークに接続し直すには、もう一度ボタンを長押ししてください。

注: Beosound A5が現在ステレオペアリングされている場合、ボタンを長押しするとペアリングが解除されます。ステレオペアが解除されたら、もう一度ボタンを長押しして、Wi-Fiセットアップモードに入ります。

### ハードウェアのリセット

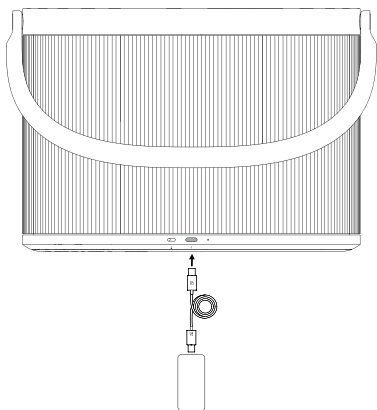
Beosound A5が反応しなくなった場合は、電源ボタン [⏻] を20秒間長押ししてハードウェアをリセットし、製品を再起動してください。これは工場出荷時設定へのリセットではありません。設定は消去されません。

### 工場出荷時の設定に戻します。

すべての設定を消去し、Beosound A5を工場出荷時の設定にリセットするには、[<>] ボタンを同時に8秒間長押ししてください。スピーカーが再起動し、ライトインジケータがオレンジ色に点滅したら、Bang & Olufsenアプリで再度設定する準備が整います。



## 시작하기

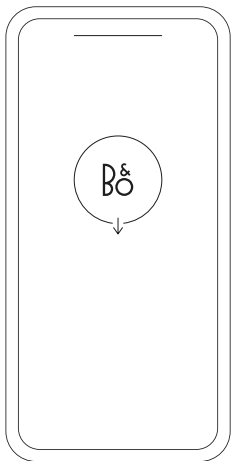


새 Beosound A5를 상자에서 꺼내 케이블을 연결합니다.

배터리는 이미 충전된 상태이지만 배터리를 보존하기 위해 스피커가 보관 모드로 출고됩니다. 케이블을 연결하면 Beosound A5가 깨어나 설정할 준비가 됩니다.

바로 청취를 시작하고 Bang & Olufsen 앱을 다운로드해 기능 전체를 탐색하세요.

## BANG & OLUFSEN 앱 다운로드



Bang & Olufsen 앱을 다운로드하면 Beosound A5를 완전하게 경험할 수 있습니다.

새 Beosound A5를 원하는 대로 설정하세요. 기능을 최신으로 업데이트하고, 볼륨을 조절해 완벽한 수준의 볼륨을 찾고, Beosonic 사운드 모드에서 사운드를 취향에 맞게 조정할 수 있습니다.

또한, 베타 테스터 커뮤니티 등의 심층 기능을 살펴보고 도움이 필요한 경우 원격 지원을 받을 수도 있습니다.

## Wi-Fi 연결

Beosound A5를 Wi-Fi에 연결하는 가장 쉬운 방법은 Bang & Olufsen 앱을 사용하는 것입니다. 앱을 다운로드한 후 화면의 안내를 따르세요. 몇 분 내로 설정을 완료할 수 있습니다.

앱을 사용하지 않아도 기기의 Wi-Fi 설정(iPhone 또는 iPad 사용 시) 또는 Google Home 앱을 통해 Wi-Fi에 연결할 수 있습니다.

## 콘텐츠 재생

선택한 소스에서 재생을 시작하고 콘텐츠를 청취할 스피커로 Beosound A5를 선택합니다. Wi-Fi에 연결하면 다음과 같은 스트리밍 기능을 사용할 수 있습니다.

- AirPlay 2
- Chromecast built-in
- Spotify Connect
- Tidal Connect
- Qplay
- DLNA
- Deezer(Bang & Olufsen 앱을 통해)
- B&O 라디오(Bang & Olufsen 앱을 통해)

Wi-Fi에 연결하면 전화를 받거나 기기 연결이 끊어져도 끊김 없이 최고의 음질을 즐길 수 있습니다. Multiroom 환경에서 여러 스피커를 연결할 수도 있습니다(자세한 내용은 'Multiroom' 참조).

Bluetooth를 통해서도 스트리밍할 수 있습니다. 자세한 내용은 'Bluetooth'를 참조하세요.

## 제품 사용하기



Beosound A5 상단에 있는 버튼을 사용해 필수 기능에 빠르게 액세스할 수 있습니다.

기호	기능
⏻	이 버튼을 눌러 스피커를 켭니다. 2초간 누르면 스피커가 꺼집니다.
✳	2초간 눌러 Bluetooth 기기와 페어링합니다. 자세한 내용은 'Bluetooth'를 참조하세요.
-+	이 버튼을 눌러 볼륨을 높이거나 낮춥니다.
▶	이 버튼을 눌러 콘텐츠를 재생하거나 일시 정지합니다.  2초간 누르면 Beolink Multiroom 환경이 시작됩니다. 자세한 내용은 'Multiroom' 을 참조하세요.
<>	이 버튼을 눌러 곡 또는 스테이션을 건너뛵니다.
○, ○○, ○○○, ○○○○	4개의 즐겨찾기 버튼을 사용해 터치 한 번으로 라디오 스테이션이나 플레이리스트스에 액세스할 수 있습니다. 자세한 내용은 '즐거찾기'를 참조하세요.

Beosound A5 상단 패널에서 액세스할 수 있는 다른 기능은 다음과 같습니다.

A	제품 상태를 표시하는 상태 표시등입니다. 자세한 내용은 '상태 표시등'을 참조하세요.
B	Qi 충전기입니다. 자세한 내용은 'Qi 충전'을 참조하세요.
C	내장 마이크(3)입니다.

## 블루투스

Beosound A5의 전체 기능은 네트워크에 연결되어 있어야 사용할 수 있지만 청취는 Bluetooth를 사용해 어디서나 가능합니다.

새 기기를 페어링하려면 Bluetooth 버튼을 2초간 누릅니다. 상태 표시등이 파란색으로 깜박이기 시작하면 기기의 Bluetooth 설정으로 이동해 Beosound A5를 선택합니다.

마지막으로 사용한 Bluetooth 기기에 연결하려면 Bluetooth 버튼을 짧게 누릅니다.

## 즐거찾기

4개의 즐겨찾기 버튼으로 좋아하는 콘텐츠에 즉시 액세스하세요. 버튼 한 번만 누르면 바로 청취가 가능합니다.

버튼은 해당 지역에서 가장 인기 있는 라디오 스테이션으로 사전 구성되어 있습니다. 하지만 B&O 라디오를 통한 다른 스테이션, Spotify Connect, Deezer을 통한 플레이리스트 등 원하는 스테이션과 플레이리스트로 간편하게 즐겨찾기를 구성할 수 있습니다.

즐거찾기를 저장하려면 기기에서 라디오 또는 플레이리스트 재생을 시작합니다. 그다음, 선택한 즐겨찾기 버튼을 2초간 누르면 선택 사항이 저장되었음을 알리는 신호음이 재생됩니다.

즐거찾기를 저장한 후 즐겨찾기 버튼을 짧게 누르면 즐겨 듣는 콘텐츠가 즉시 재생됩니다.

## MULTIROOM



집 전체를 청취실로 만들어보세요. Beosound A5를 Multiroom 시스템 내 다른 스피커와 연결해 집 안 여러 스피커에서 동일한 콘텐츠를 동시에 재생할 수 있습니다. Multiroom은 다음과 같은 다양한 방법으로 즐길 수 있습니다.

### BeoLink Multiroom

Beolink는 Bang & Olufsen의 자체 Multiroom 시스템을 말합니다. Beosound A5에서 재생되는 모든 콘텐츠를 동일한 네트워크에 있는 다른 Bang & Olufsen 스피커와 TV에 배포할 수 있습니다.

Beolink Multiroom을 사용하려면 한 스피커에서 재생을 시작한 후 다른 스피커에서 [▶]을 2초간 눌러 Multiroom에 참여합니다. 스마트폰이 없어도 Multiroom에 참여할 수 있고, Bang & Olufsen 앱에서 콘텐츠가 재생 중인 제품을 확인할 수 있습니다. 또한, 제품으로 이동하지 않고도 재생 목록에 더 많은 콘텐츠를 추가할 수 있습니다.

참고: Beolink Multiroom과 AirPlay를 함께 사용하려면 먼저 Bang & Olufsen 앱을 열고 제품 설정 -> Beolink Multiroom -> AirPlay 활성화로 이동합니다.

참고: Beolink Multiroom은 내장된 Chromecast와 함께 사용할 수 없습니다.

## **Apple AirPlay**

AirPlay를 사용해 Multiroom 경험을 만들려면 Apple 기기의 오디오 출력 메뉴에서 여러 개의 스피커를 선택하세요. Beosound A5는 AirPlay 2를 지원하는 다른 브랜드의 스피커와도 함께 재생할 수 있습니다.

## **Chromecast built-in**

Chromecast를 통해 스피커로 콘텐츠를 보낼 때 스마트폰에 설치된 Google Home 앱을 사용해 함께 재생할 스피커를 그룹화할 수 있습니다. 앱에서 미디어를 선택한 후 경험에 추가할 스피커를 선택하면 됩니다.

## 사용자 지정 사운드

Bang & Olufsen 앱에서 사운드를 조정해 Beosound A5 경험을 극대화하세요.

### 사운드 모드

사운드 모드를 사용하면 취향과 상황에 맞게 사운드를 조정할 수 있습니다. 기본으로 제공되는 사운드 모드를 그대로 사용하거나, Beosonic으로 나만의 사운드 모드를 만들어보세요.

사용자 지정 사운드 모드는 Beosonic에서 저장해 나중에 터치 한 번으로 활성화할 수 있습니다. 사운드 모드를 저장하면 Beosonic과 사운드 방향 설정이 모두 기억됩니다.

사운드 모드를 재정렬하거나 삭제하려면 사운드 모드 버튼 옆에 있는 [≡] 버튼을 누릅니다.



#### Beosonic

[⊙]을 눌러 Beosonic으로 사운드를 조정할 수 있습니다. 점을 움직여 원하는 전반적인 사운드를 찾아보세요. 두 손가락으로 확대하거나 축소해 몰입감을 변경할 수 있습니다.

#### 사운드 방향

상황에 따라 두 가지 방향 모드 중에서 한 가지를 선택해 사용하세요.

전면 방향은 스피커 앞에 있는 청취자에게 사운드를 전달합니다. 이 모드는 스피커를 벽에 배치했을 때 이상적입니다.

모든 방향은 스피커 주변에 균일한 음장을 만듭니다. 이 모드는 다른 청취자들과 함께 공원에 가거나 피크닉을 즐길 때 이상적입니다.



### RoomSense

Beosound A5를 사용하면 Bang & Olufsen만의 공간 보정 시스템인 RoomSense를 사용할 수 있습니다. RoomSense는 스피커를 배치한 위치에 따라 사운드를 최적화합니다.

Bang & Olufsen 앱의 사운드 설정에서 RoomSense를 활성화하세요. RoomSense가 실행되는 동안에는 반드시 Beosound A5 마이크가 켜져 있어야 합니다.



## 스테레오 페어링



두 대의 Beosound A5를 페어링하면 완전하고 유연한 스테레오 환경을 경험할 수 있습니다. 스테레오 페어링은 Bang & Olufsen 앱에서 같은 계정으로 두 스피커 모두를 설정했고, 동일한 네트워크에 연결되어 있을 때 사용할 수 있습니다.

### **Bang & Olufsen 앱을 사용한 스테레오 페어링**

앱에서 스피커를 선택한 후 사운드 설정 -> 스테레오 페어링 만들기를 선택합니다. 그다음, 스테레오 페어링으로 연결할 다른 스피커를 선택합니다.

### **페어링 해제**

페어링을 해제해 스피커를 개별적으로 사용하려는 경우, 두 스피커의 [<>] 버튼을 동시에 2초간 누르거나 Bang & Olufsen 앱에서 사운드 설정으로 이동합니다.

## 배터리 수명 및 충전



Beosound A5에는 내장 배터리가 탑재되어 있고 일반적인 청취 수준에서는 12시간 이상, 최대 볼륨에서는 최대 4시간을 재생할 수 있습니다.

Beosound A5가 전원에 연결되어 있지 않은 경우 전원을 켜면 충전 포트 옆 상태 표시등에 남은 배터리 수명이 잠시 동안 표시됩니다.

색상	패턴	의미
녹색	계속 켜짐	배터리 잔량이 40% 이상 남았습니다.
황색	계속 켜짐	배터리 잔량이 40% 미만 남았습니다.
빨간색	계속 켜짐	배터리 잔량이 10% 미만 남았습니다.
	점멸	배터리 잔량이 1% 미만 남았습니다. 전원에 연결하지 않으면 스피커가 꺼집니다.

배터리 잔량이 10%와 1%에 도달하면 신호음이 들립니다.

Beosound A5는 동봉된 USB-C 전원 어댑터를 사용해 충전할 수 있습니다. 스피커 뒷면에서 어댑터를 충전 포트에 연결하세요. 충전 포트 옆의 상태 표시등은 충전 상태를 나타냅니다.

색상	패턴	의미
황색	천천히 깜박임	충전 중입니다.
녹색	계속 켜짐	100% 충전되었습니다. 5분 후 상태 표시등이 꺼집니다.

## 절전 모드와 보관 모드

배터리가 완전히 충전된 상태에서 다시 충전이 필요할 때까지 Beosound A5는 절전 모드로 최대 10일을 버틸 수 있습니다. 전원 버튼을 누르면 즉시 Beosound A5가 절전 모드에서 깨어납니다.

Beosound A5를 장기간 사용하지 않을 계획이라면 보관 모드를 활성화해 배터리를 절약할 수 있습니다. 스피커가 켜져 있는 상태에서 전원 버튼을 8초간 길게 누르면 보관 모드로 전환되었음을 확인하는 다른 신호음이 들립니다.

참고: 스피커를 보관 모드에서 깨울 때는 케이블을 사용해 스피커를 전원에 연결해야 합니다.

## Qi 충전



Beosound A5 상단에서 스마트폰과 기타 Qi 호환 기기를 충전할 수 있습니다. 점선으로 표시된 원 안이나 그 위에 기기를 올려놓으면 충전이 시작됩니다.

상태 표시등을 통해 기기의 충전 상태를 알 수 있습니다.

색상	패턴	의미
황색	천천히 깜박임	충전 중입니다.
녹색	계속 켜짐	100% 충전되었습니다.
빨간색	점멸	오류가 발생했습니다(예: 패드에서 이물질 감지). 기기와 장애물을 제거한 후 다시 시도하세요.

참고: Beosound A5를 전원에 연결하지 않은 상태로 다른 기기를 충전하면 배터리 수명이 단축됩니다. Bang & Olufsen 앱에서 Qi 충전 기능을 끌 수 있습니다.

## 상태 표시등



상태 표시등은 Beosound A5 상단의 전원 버튼 옆에 위치해 있습니다. 상태 표시등은 스피커 상태를 나타냅니다.

색상	패턴	의미
White	계속 켜짐	스피커가 켜져 있고 스피커가 네트워크 및/또는 Bluetooth 기기에 연결되어 있습니다.
	천천히 깜박임	일시 중지되었습니다. 재생을 다시 시작하려면 재생을 누르세요.
	점멸	스피커가 시작 중입니다.
Blue	계속 켜짐	Bluetooth 기기가 연결되었습니다.
	깜빡임	Bluetooth 페어링이 가능한 상태입니다.
황색	계속 켜짐	네트워크 또는 Bluetooth에 연결되어 있지 않습니다.
	점멸	Wi-Fi에 연결할 준비가 되었습니다.
	천천히 깜박임	Qi 충전기로 기기를 충전 중입니다.
녹색	계속 켜짐	Qi 충전기로 충전 중인 기기가 완전히 충전되었습니다.
	천천히 깜박임	소프트웨어가 업데이트 중입니다. 상태 표시등이 다시 흰색으로 바뀔 때까지 기다리세요.
빨간색	점멸	일시적 오류가 발생했습니다(예: 과열 또는 Qi 충전 오류).
	계속 켜짐	정적 오류가 발생했습니다. 지원팀에 문의해 도움을 받으세요. Bang & Olufsen 앱을 통해서도 지원팀에 연락할 수 있습니다.

## 마이크

Beosound A5에는 스피커의 사운드를 배치한 위치에 맞게 최적화하기 위해 RoomSense에 사용되는 마이크가 내장되어 있습니다.

마이크를 분리하려면 충전 포트 옆에 있는 슬라이더 스위치 [🔊]를 맨 왼쪽 위치로 전환합니다(스위치가 주황색으로 표시됨). 마이크가 분리되어 있으면 RoomSense를 설정할 수 없습니다.

## BEOSOUND A5 초기화

### Wi-Fi 설정 모드

현재 Wi-Fi 네트워크에서 Beosound A5의 연결을 해제하고 새 네트워크에 연결하려면 [<>] 버튼을 동시에 2초간 누릅니다. 상태 표시등이 주황색으로 깜박이기 시작하면 Bang & Olufsen 앱을 통해 스피커를 연결할 수 있습니다.

Wi-Fi 설정을 취소하고 이전 네트워크에 다시 연결하려면 버튼을 다시 길게 누릅니다.

참고: Beosound A5가 스테레오로 페어링되어 있는 경우 버튼을 길게 누르면 페어링이 해제됩니다. 스테레오 쌍이 분리되면 버튼을 다시 길게 눌러 Wi-Fi 설정 모드로 들어갑니다.

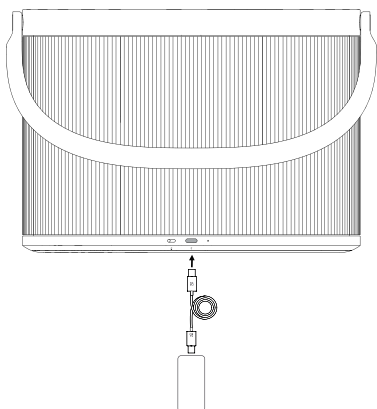
### 하드웨어 초기화

Beosound A5가 응답하지 않으면 전원 버튼 [⏻]을 20초간 눌러 하드웨어를 초기화하고 제품을 다시 시작하세요. 이 초기화는 FACTORY RESET과는 달리 설정이 지워지지 않습니다.

### 출고시 설정을 복원

모든 설정을 지우고 Beosound A5를 출고 시 설정으로 초기화하려면 [<>] 버튼을 동시에 8초간 길게 누릅니다. 스피커가 다시 시작되고 상태 표시등이 주황색으로 깜박이면 Bang & Olufsen 앱을 통해 스피커를 다시 설정할 수 있습니다.

## 开始使用



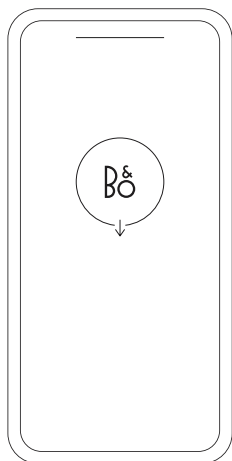
将您的全新 Beosound A5 从包装盒中取出，插上电源线。

电池已充电，但扬声器处于存放模式以保存电量。插入电源线后，Beosound A5 会被唤醒并准备好进行设置。

立即开始收听并下载 Bang & Olufsen 应用程序以探索全部特性和功能。



## 下载 BANG & OLUFSEN 应用



下载 Bang & Olufsen 应用程序即可获得完整体验。

对您的全新 Beosound A5 进行个性化设置。更新到最新功能，通过精确的音量控制找到最适合的音量，并使用 Beosonic 声音模式根据您的喜好定制声音。

您还可以深入了解 Beta Tester 社区等功能，并在需要帮助时获得远程支持。

## 连接到 Wi-Fi

将 Beosound A5 连接至 Wi-Fi 的最简单方法是通过 Bang & Olufsen 应用程序。只需下载该应用程序并按照屏幕上的说明进行操作。您将在几分钟内完成设置。

如果您不想使用该应用程序，您仍然可以通过设备上的 Wi-Fi 设置（如果您使用的是 iPhone 或 iPad）或通过 Google Home 应用程序进行连接。

## 播放您的内容

从您选择的音源开始播放，然后选择 Beosound A5 作为要收听的扬声器。连接到 Wi-Fi 时，可以使用以下串流功能：

- AirPlay 2
- Chromecast built-in
- Spotify Connect
- Tidal Connect
- QPlay
- DLNA
- Deezer（通过 Bang & Olufsen 应用程序）
- B&O Radio（通过 Bang& Olufsen 应用程序）

您可以通过 Wi-Fi 享受最高音质，即使有来电或设备断开连接也不受干扰。您还可以在 Multiroom 体验中连接多个扬声器（有关更多信息，请参阅“Multiroom”）。

此外，您可以通过蓝牙进行流媒体播放。有关更多信息，请参阅“蓝牙”。

## 日常使用



使用 Beosound A5 顶部的按钮快速访问基本功能：

符号	功能
⏻	按下可打开扬声器。 按住两秒钟可将其关闭。
📶	按住两秒钟可与蓝牙设备配对。有关更多信息，请参阅“蓝牙”。
-+	按下可调高或调低音量。
▶	按下可播放或暂停播放内容。 按住两秒钟即可体验 Beolink Multiroom 功能。有关更多信息，请参阅“Multiroom”。
<>	按下可跳过曲目或电台。
⦿, ⦿⦿, ⦿⦿, ⦿⦿	使用四个收藏按钮可一键访问广播电台或播放列表。有关更多信息，请参阅“收藏”。

Beosound A5 顶部面板的其他功能包括：

A	指示灯，显示产品状态。有关更多信息，请参见“状态指示灯”。
B	Qi 充电器。有关更多信息，请参阅“Qi 充电”。
C	内置麦克风（3）。

### 蓝牙

需要网络连接才能使用 Beosound A5 的完整功能，但您可以通过蓝牙随时随地收听。

要配对新设备，请按住蓝牙按钮两秒钟。当指示灯为蓝灯闪烁时，进入设备上的蓝牙设置并选择 Beosound A5。

要连接到上次使用的蓝牙设备，请立即按下蓝牙按钮。

## **收藏夹**

使用四个收藏按钮即时访问您喜欢的内容。只需按一下，就可以立即收听。

这些按钮预设了您所在地区最流行的广播电台，并且可以轻松改为您想要的任何电台：B&O Radio 的其他电台或 Spotify Connect 和 Deezer 的播放列表。

要保存收藏，请开始在设备上播放电台广播或播放列表。然后按住选定的收藏按钮两秒钟。系统会发出声音以确认您的选择已保存。

保存后，短按收藏按钮将立即开始播放您喜欢的内容。

## MULTIROOM



让各个房间的扬声器齐声歌唱。Beosound A5 可以连接到 Multiroom 系统中的其他扬声器，让家中的多个扬声器同时播放相同的内容。您可以通过几种不同的方式享受 Multiroom 功能带来的乐趣：

### **BeoLink Multiroom**

Beolink 是 Bang & Olufsen 自带的 Multiroom 系统。它可以将 Beosound A5 上播放的任何内容传送到同一网络上的其他 Bang & Olufsen 扬声器和电视。

要使用 Beolink Multiroom 功能，请在一个扬声器上开始播放，然后按住另一个扬声器上的 [D]（两秒钟）加入其中——所有这都不需要智能手机。您还可以使用 Bang & Olufsen 应用程序查看正在播放的设备并添加更多内容到播放列表中，而无需走到设备旁边。

注意：要同时使用 Beolink Multiroom 和 AirPlay，请先打开 Bang & Olufsen 应用程序并进入产品设置 -> Beolink Multiroom -> 启用 AirPlay。

注意：Beolink Multiroom 不能与内置的 Chromecast 一起使用。

### **Apple Airplay**

要使用 AirPlay 创建 Multiroom 体验，请从 Apple 设备的声音输出菜单中选择多个扬声器。Beosound A5 还可以与支持 AirPlay 2 的其他品牌的扬声器一起使用。

## **Chromecast built-in**

当通过 Chromecast 将内容投射到您的扬声器时，您可以使用智能手机上的 Google Home 应用程序将扬声器分组以一起播放。在应用程序中，选择媒体并选择要添加到体验中的扬声器。

## 自定义声音

在 Bang & Olufsen 应用程序中调整声音并充分利用您的 Beosound A5。

### 声音模式

借助声音模式，您可以根据自己的喜好和场合来选择声音。在自带的声音模式中进行选择，或者使用 Beosonic 创建自己的声音模式。

Beosonic 可以保存自定义声音模式供以后使用，并可一键激活。当您保存声音模式时，它会记住 Beosonic 和声音方向设置。

要重新排序或删除声音模式，请按下声音模式按钮旁边的 [≡]。



### Beosonic

按下 [☉] 通过 Beosonic 调整声音。移动圆点以找到您喜欢的整体声音效果。用两根手指张开或捏合以改变沉浸感。



### 声源指向性

根据情况在两种不同的指向性模式之间进行选择：Front 将声音导向扬声器前面的听众。当扬声器靠墙放置时，这是理想的选择。

Omni 在扬声器周围创建均匀的声场，非常适合听众环绕的公园或野餐场合。

### RoomSense

通过 Beosound A5，您可以使用 Bang & Olufsen 专有的房间补偿功能 RoomSense。它能根据扬声器在房间中的位置优化声音。

在 Bang & Olufsen 应用程序的声音设置下激活 RoomSense。在执行 RoomSense 时，必须打开 Beosound A5 中的麦克风。

## 立体声配对



将两台 Beosound A5 成对连接，以获得完整而灵活的立体声体验。当两个扬声器在 Bang & Olufsen 应用程序中以相同的帐户进行设置并连接到同一网络时，可进行立体声配对。

### 通过 Bang & Olufsen 应用程序进行立体声配对

在应用程序中，选择您的扬声器，然后选择声音设置 -> 创建立体声配对。然后为您的立体声配对选择另一个扬声器。

### 分开配对

要分开配对并分别使用扬声器，您可以同时按住任一扬声器上的 [<>] 按钮两秒钟，或者进入 Bang & Olufsen 应用程序中的声音设置。



## 电池续航和充电



使用内置电池，Beosound A5 可以在普通收听水平下播放超过 12 小时，在最大音量下播放最长 4 小时。

当 Beosound A5 未连接电源时，充电端口旁边的指示灯会在您打开电源时短暂显示电池剩余电量：

颜色	模式	含义
绿色	长亮	电池剩余续航时间超过 40%。
琥珀色	长亮	电池剩余续航时间不足 40%。
红色	长亮	电池剩余续航时间不足 10%。
	闪烁	电池剩余续航时间不足 1%。除非连接到电源，否则扬声器将关闭。

在 10% 和 1% 时，您还会听到通知声音。

使用随附的 USB-C 电源适配器为 Beosound A5 充电。将其连接到扬声器背面的充电端口。充电端口旁边的指示灯将显示充电状态：

颜色	模式	含义
琥珀色	缓慢闪烁	正在充电。
绿色	长亮	已充满电。指示灯将在五分钟后熄灭。

## 睡眠和存放

使用充满电的电池，Beosound A5 可以保持睡眠模式长达 10 天，然后才需要再次充电。在此期间，按下电源按钮即会将其立即唤醒。

如果您打算长时间不使用 Beosound A5，可以开启存放模式以节省电量。打开扬声器后，按住电源按钮八秒钟。您将听到一个声音以确认存放模式。

注意：要将扬声器从存放模式重新开启，必须用电源线将其连接到电源。

## Qi 充电



您可以在 Beosound A5 上为智能手机和其他 Qi 兼容设备充电。将设备置于虚线圆圈内部或上方即可开始充电。

指示灯将显示设备的充电状态：

颜色	模式	含义
琥珀色	缓慢闪烁	正在充电。
绿色	长亮	已充满电。
红色	闪烁	错误，例如在充电垫上检测到异物。移除设备和可能的障碍物，然后重试。

注意：在 Beosound A5 未接入电源时为其他设备充电会缩短电池续航时间。您可以在 Bang & Olufsen 应用程序中关闭 Qi 充电功能。

## 状态指示灯



指示灯位于 Beosound A5 的顶部的电源按钮旁边，显示扬声器的状态：

颜色	模式	含义
白色	长亮	扬声器已打开并连接到网络和/或蓝牙设备。
	缓慢闪烁	已暂停，按播放键恢复播放。
	闪烁	正在启动。
蓝色	长亮	蓝牙设备已成功连接。
	脉冲	打开以进行蓝牙配对。
琥珀色	长亮	未连接到网络或蓝牙。
	闪烁	准备好连接 Wi-Fi。
	缓慢闪烁	设备正在 Qi 充电器上充电。
绿色	长亮	Qi 充电器上的设备已充满电。
	缓慢闪烁	正在更新软件——请等待直到指示灯再次变成白色长亮。
红色	闪烁	临时错误（例如过热或 Qi 充电错误）。
	长亮	静态错误——请联系支持人员寻求帮助。您还可以通过 Bang & Olufsen 应用程序联系支持人员。

## 麦克风

Beosound A5 带有内置麦克风，RoomSense 使用这些麦克风根据扬声器位置优化声音效果。

如果您想断开麦克风的连接，请将充电端口旁边的滑块开关 [🔇] 移到最左边的位置（开关会显示为橙色）。断开麦克风连接后，即无法设置 RoomSense。

## 重置 BEOSOUND A5

### Wi-Fi 设置模式

要断开 Beosound A5 与当前 Wi-Fi 网络的连接并将其连接到新的 Wi-Fi 网络，请同时按住 [ < > ] 按钮两秒钟。指示灯将显示为橙色灯闪烁，扬声器已准备好通过 Bang & Olufsen 应用程序进行连接。

要取消 Wi-Fi 设置并连接回之前的网络，请再次按住以上按钮。

注意：如果您的 Beosound A5 当前处于立体声配对状态，则按住按钮会分开配对。分开立体声配对后，请再次按住按钮，进入 Wi-Fi 设置模式。

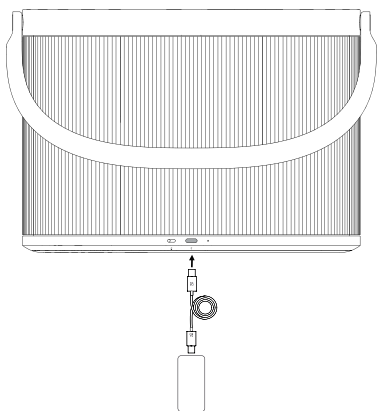
### 硬件重置

如果您的 Beosound A5 无响应，请按住电源按钮 [ ⏻ ] 20 秒钟以重置硬件并重新启动产品。这不是恢复出厂设置——您的设置不会被删除。

### 恢复出厂设置

要清除所有设置并将 Beosound A5 重置为出厂默认设置，请同时按住 [ < > ] 按钮8秒钟。扬声器重新启动且指示灯显示为橙色灯闪烁后，即可通过 Bang& Olufsen 应用程序重新设置。

## 開始使用

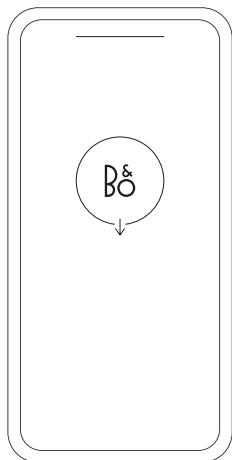


從包裝盒中取出新 Beosound A5，然後插入連接線。

電池已充電，但喇叭處於儲存模式以節省電量。插入連接線會喚醒 Beosound A5 並可進行設定。

立即開始聆聽並下載 Bang & Olufsen 應用程式，以探索全部特色和功能。

## 下載 BANG & OLUFSEN 應用程式



下載 Bang & Olufsen 應用程式即可獲得完整體驗。

設定新 Beosound A5，讓它成為您的專屬裝置。更新至最新功能，透過精確控制調至合適音量，並使用 Beosonic 聲音模式，根據偏好度身訂造音效。

您還可以深入瞭解 Beta 測試人員社群等功能，並在需要幫助時獲得遠端支援。



## 連接至 Wi-Fi

將 Beosound A5 連接至 Wi-Fi 的最簡單方法是透過 Bang & Olufsen 應用程式。只需下載該應用程式並按照螢幕上的說明操作即可。設定可在幾分鐘內完成。

若不想使用該應用程式，您仍然可以透過裝置上的 Wi-Fi 設定（如使用的是 iPhone 或 iPad）或透過 Google Home 應用程式進行連接。

## 播放您的內容

從您選擇的音源開始播放，然後選擇 Beosound A5 作為要聆聽的喇叭。連接至 Wi-Fi 時可以使用下列串流功能：

- AirPlay 2
- Chromecast built-in
- Spotify Connect
- Tidal Connect
- Qplay
- DLNA
- Deezer（透過 Bang & Olufsen 應用程式）
- B&O Radio（透過 Bang & Olufsen 應用程式）

使用 Wi-Fi 時，即使接聽來電或裝置中斷連接，也可以提供最佳音質而不受干擾。如為多房間聆聽場景，也可連接多個喇叭（有關詳細資訊，請參閱「Multiroom」）。

此外，您還可以透過藍牙串流。有關詳細資訊，請參閱「藍牙」。

## 日常使用



利用 Beosound A5 頂部的按鈕，快速使用基本功能：

符號	功能
⏻	按下此按鈕可開啟喇叭。 按住兩秒鐘可將其關閉。
✳	按住兩秒鐘可與藍牙裝置配對。有關詳細資訊，請參閱「藍牙」。
-+	按下此按鈕可調高或調低音量。
▶	按下此按鈕可播放或暫停內容。 按住兩秒鐘即可加入 Beolink Multiroom 體驗。有關詳細資訊，請參閱「Multiroom」。
<>	按下此按鈕可略過歌曲或電台。
◻ ◻ ◻ ◻ ◻ ◻	四個「我的最愛」按鈕可讓您一鍵存取廣播電台或播放清單。有關詳細資訊，請參閱「我的最愛」。

Beosound A5 頂部面板的其他功能包括：

A	指示燈，顯示產品狀態。有關詳細資訊，請參閱「狀態指示燈」。
B	Qi 充電器。相關詳細資訊，請參閱「Qi 充電」。
C	內建麥克風 (3)。

### 藍牙

需要網路連接才能使用 Beosound A5 的全部功能，但您可以利用藍牙隨時隨地聆聽。

若要配對新裝置，請按住藍牙按鈕兩秒鐘。當指示燈開始閃爍藍光時，前往裝置上的藍牙設定並選擇 Beosound A5。

若要連接上次使用的藍牙裝置，請快速按下藍牙按鈕。

## **喜愛頻道**

使用四個「我的最愛」按鈕，即時存取您喜歡的內容。只需按一下即可立即聆聽。

這些按鈕預裝有您所在地區最熱門的廣播電台，並且可以輕鬆設為您想欣賞的任何內容：透過 B&O Radio 聆聽其他電台，或透過 Spotify Connect 和 Deezer 存取播放清單。

若要儲存「我的最愛」，請開始在裝置上播放電台或播放清單。然後按住選定的「我的最愛」按鈕兩秒鐘。裝置會傳出聲音以確認您的選擇已儲存。

儲存後，短按「我的最愛」按鈕將立即開始播放您喜歡的內容。

## 多室控制 (MULTIROOM)



讓歌聲傳遍整個房子。Beosound A5 可以連接到多房間系統中的其他喇叭，讓您家中的多個喇叭同時播放相同的內容。您可以透過幾種不同的方式享受多房間聆聽體驗：

### **BeoLink Multiroom**

Beolink 是 Bang & Olufsen 自帶的多房間系統。它可以將 Beosound A5 上播放的任何內容傳送至同一網路上的其他 Bang & Olufsen 喇叭和電視。

若要使用 Beolink Multiroom，請在一個喇叭上開始播放，然後在另一個喇叭上按住 [▶|◀]（兩秒鐘）以加入它，操作全程皆無需使用智慧型手機。您還可以使用 Bang & Olufsen 應用程式查看正在播放的產品，並新增更多到當前體驗中，而無需動手操作產品。

備註：若要同時使用 Beolink Multiroom 和 AirPlay，首先開啟 Bang & Olufsen 應用程式並進入「產品設定」->「Beolink Multiroom」->「啟用 AirPlay」。

備註：Beolink Multiroom 不能與內建 Chromecast 一同使用。

### **Apple AirPlay**

若要使用 AirPlay 建立多房間體驗，請從 Apple 裝置的聲音輸出選單中選擇多個喇叭。Beosound A5 還可以與支援 AirPlay 2 的其他品牌喇叭一同播放。

## **Chromecast built-in**

當透過 Chromecast 將內容傳送至喇叭時，可以使用智慧型手機上的 Google Home 應用程式將喇叭分組，以一同播放。在應用程式中，選擇「媒體」，然後選擇要新增至體驗中的喇叭。

## 自訂音效

在 Bang & Olufsen 應用程式中調整聲音，並充分利用 Beosound A5。

### 聲音模式

使用「聲音模式」，您可以根據自己的喜好和場合來設計聲音。在產品自帶的「聲音模式」中選擇，或使用 Beosonic 建立您自己的聲音模式。

Beosonic 可以儲存自訂「聲音模式」供以後使用，並可一鍵啟用。儲存聲音模式時，它會記住 Beosonic 和聲音方向設定。

若要重新排序或刪除「聲音模式」，請按下「聲音模式」按鈕旁的 [≡]。



### Beosonic

按下 [⊙] 以使用 Beosonic 來度身訂造音效。移動圓點以找到您偏好的整體音效。展開或捏合兩根手指以改變身歷其境的聆聽效果。



### 聲音指向性

根據情況，從兩種不同的指向性模式中選擇：

前會將聲音傳向喇叭前方的聽眾。當喇叭靠牆放置時，這是理想模式。

全方位在喇叭周圍營造一致音場，非常適合於公園或野餐地點，聽眾遍布各處時使用。

### RoomSense

利用 Beosound A5，您可以使用 Bang & Olufsen 專有的房間補償功能「RoomSense」。它根據喇叭在房間中的位置優化音效。

在「聲音設定」下的 Bang & Olufsen 應用程式中啟用「RoomSense」。在使用「RoomSense」時，必須開啟 Beosound A5 中的麥克風。

## 立體聲配對



將兩台 Beosound A5 配對連接，以獲得完整而靈活的立體聲體驗。當兩個喇叭皆已在 Bang & Olufsen 應用程式中使用相同帳戶設定，並連接至同一網路時，即可使用立體聲配對。

### 透過 Bang & Olufsen 應用程式進行立體聲配對

在應用程式中，選擇喇叭，然後選擇「聲音設定」->「建立立體聲配對」。接下來，為立體聲配對選擇另一個喇叭。

### 取消配對

若要將一對喇叭取消配對並單獨使用，您可以在任一喇叭上同時按住 [ < > ] 按鈕兩秒鐘，或前往 Bang & Olufsen 應用程式中的「聲音設定」。

## 電池續航力與充電



借助內建電池，Beosound A5 可以在典型聆聽水平下播放超過 12 小時，在最高音量下使用長達 4 小時。

當 Beosound A5 未連接電源時，充電埠旁邊的指示燈會在您開啟電源時短暫顯示電池剩餘電量：

顏色	模式	意義
綠色	恆亮	電池剩餘電量超過 40%。
橘燈	恆亮	電池剩餘電量不足 40%。
紅色	恆亮	電池剩餘電量不足 10%。
	閃爍	電池剩餘電量不足 1%。除非連接電源，否則喇叭將關閉。

電池剩餘電量為 10% 和 1% 時，裝置還會傳出提示音。

使用裝置所配的 USB-C 電源轉接器為 Beosound A5 充電。將其連接到喇叭背面的充電埠。充電埠旁邊的指示燈將顯示充電狀態：

顏色	模式	意義
橘燈	慢閃	充電中。
綠色	恆亮	充電完成。指示燈將在五分鐘後關閉。



## 休眠與儲存

電池充電完成後，Beosound A5 可以在需要再次充電之前保持休眠模式長達 10 天。在此期間，按下電源按鈕即可立即將其喚醒。

如果您打算長期不使用 Beosound A5，可以啟用儲存模式以節省電量。開啟喇叭後，按住電源按鈕八秒鐘。裝置會傳出進入儲存模式的提示音。

備註：若要重新開啟處於儲存模式的喇叭，您必須使用連接線將喇叭連接至電源。

## Qi 充電



您可以在 Beosound A5 頂部為智慧型手機和其他 Qi 相容裝置充電。將裝置放在虛線圓圈之內或之上即可開始充電。

指示燈會顯示裝置的充電狀態：

顏色	模式	意義
橘燈	慢閃	充電中。
綠色	恆亮	充電完成。
紅色	閃爍	錯誤，例如在充電板上偵測到異物。移除裝置和可能的障礙物，然後重試。

備註：在未插入 Beosound A5 時為其他裝置充電，會縮短電池的使用時間。您可以在 Bang & Olufsen 應用程式中關閉 Qi 充電功能。

## 狀態指示燈



指示燈位於 Beosound A5 頂部的電源按鈕旁邊，會顯示喇叭狀態：

顏色	模式	意義
白色	恆亮	喇叭已開啟並連接至網路和/或藍牙裝置。
	慢閃	暫停，按下「播放」以繼續播放。
	閃爍	開機。
藍色	恆亮	藍牙裝置連接成功。
	呼吸燈	開啟以進行藍牙配對。
橘燈	恆亮	未連接至網路或藍牙。
	閃爍	準備連接至 Wi-Fi。
	慢閃	裝置在 Qi 充電器上充電。
綠色	恆亮	Qi 充電器上的裝置充電完成。
	慢閃	軟體更新 - 等到指示燈再次變為純白色。
紅色	閃爍	臨時錯誤（例如過熱或 Qi 充電錯誤）。
	恆亮	靜態錯誤 - 聯絡支援人員尋求協助。您也可以透過 Bang & Olufsen 應用程式取得支援。

## 麥克風

Beosound A5 具有內建麥克風，RoomSense 使用這些麥克風根據其位置優化喇叭音效。

若您希望中斷麥克風連接，請將充電埠旁的滑桿開關 [🔊] 移至最左邊的位置（開關將變為橙色）。麥克風中斷連接時，無法設定 RoomSense。

## 重設 BEOSOUND A5

### Wi-Fi 設定模式

若要中斷 Beosound A5 與當前 Wi-Fi 網路的連接並將其連接到新網路，請同時按住 [ < > ] 按鈕兩秒鐘。指示燈將開始閃爍橙光，這時即可透過 Bang & Olufsen 應用程式連接喇叭。

若要取消 Wi-Fi 設定並重新連接先前的網路，請再次按住按鈕。

備註：若 Beosound A5 當前已進行立體聲配對，則按住按鈕以取消配對。立體聲配對取消後，再次按住按鈕即可進入 Wi-Fi 設定模式。

### 硬體重設

若 Beosound A5 無反應，可按住電源按鈕 [ ⏻ ] 20 秒鐘，以重設硬體並重啟產品。此操作並非恢復出廠設定，您的設定不會被清除。

### 恢復出廠設定

若要清除所有設定並將 Beosound A5 重設為出廠預設設定，請同時按住 [ < > ] 按鈕8秒鐘。一旦喇叭重新啟動並且指示燈閃爍橙光，即可透過 Bang & Olufsen 應用程式再次設定。